

HKoenig

km124

Instruction Manual

Manuel d'instructions
Bedienungsanleitung
Gebruiksaanwijzing
Manual de instrucciones
Manuale d'uso



Stand mixer multifunctions

Robot pétrin multifonctions
Robot mixer multifunktions
Robot keukenmachine multifunctioneel
Robot batidora multifuncion
Robot Impastatrice multifunzione
Robot de cozinha multifuncional



ENGLISH

Safety Instructions

When using electrical appliances, basic safety precautions should always be followed including the following:

- To protect against risk of electrical shock do not put stand mixer and power supply cord in water or other liquid. If the supply cord is damaged, it must be replaced by the manufacturer, its service agent or similarly qualified persons in order to avoid a hazard.
- Close supervision is necessary when any appliance is used by or near children.
- This appliance shall not be used by children. Keep the appliance and its cord out of reach of children.
- Always disconnect the appliance from the supply if it is left unattended and before assembling, disassembling or cleaning.
- Switch off the appliance and disconnect from supply before changing accessories or approaching parts that move in use.
- Care shall be taken when handling the sharp cutting blades, emptying the bowl and during cleaning.
- This appliance may be used by persons with reduced physical, sensory or mental capabilities or lack of experience or knowledge, provided that they are supervised or instructed in the safe use of the appliance and that they fully understand the potential hazards.
- Unplug from outlet when not in use, before putting on or taking off parts, and before cleaning.
- Avoid contacting moving parts. Keep hands, hair, clothing, as well as spatulas and other utensils away from beaters during operation to reduce the risk of injury to persons, and/or damage to the mixer.

-Do not operate any appliance with a damaged cord or plug or after the appliance malfunctions, or is dropped or damaged in any manner. Return appliance to the nearest authorized service facility for examination, repair or electrical or mechanical adjustment.

-The use of attachments not recommended or sold by the manufacturer may cause fire, electric shock or injury.

- Do not use outdoors. This product is for household use only.

- Do not let cord hang over edge of table or counter.

- Remove beaters from mixer before washing.

- This appliance may be used by children of at least 8 years of age, as long as they are supervised and have been given instructions about using the appliance safely and are fully aware of the dangers involved.

- Cleaning and maintenance should not be carried out by children unless they are at least 8 years of age and are supervised by an adult.

- Keep the appliance and its power cord out of reach of children under 8 years of age.

- When using electrical equipment, safety precautions must always be taken to prevent the risk of fire, electric shock and/or injury in the event of misuse.

- Make sure that the voltage rating on the type plate corresponds to your main voltage of your installation. If this is not the case, contact the dealer and do not connect the unit.

- Keep this manual for future reference and pass it on with the equipment to any future users.

- The machine is only used for household and indoor.

Your appliance has been designed for domestic use only. It is not intended for use in the following situations which are not covered by the warranty:

- in staff kitchen areas in shops, offices and other professional environments,
- in farm hostels,
- by guests in hotels, motels and other residential environments,
- in bed and breakfast type environments.

GROUNDING INSTRUCTIONS

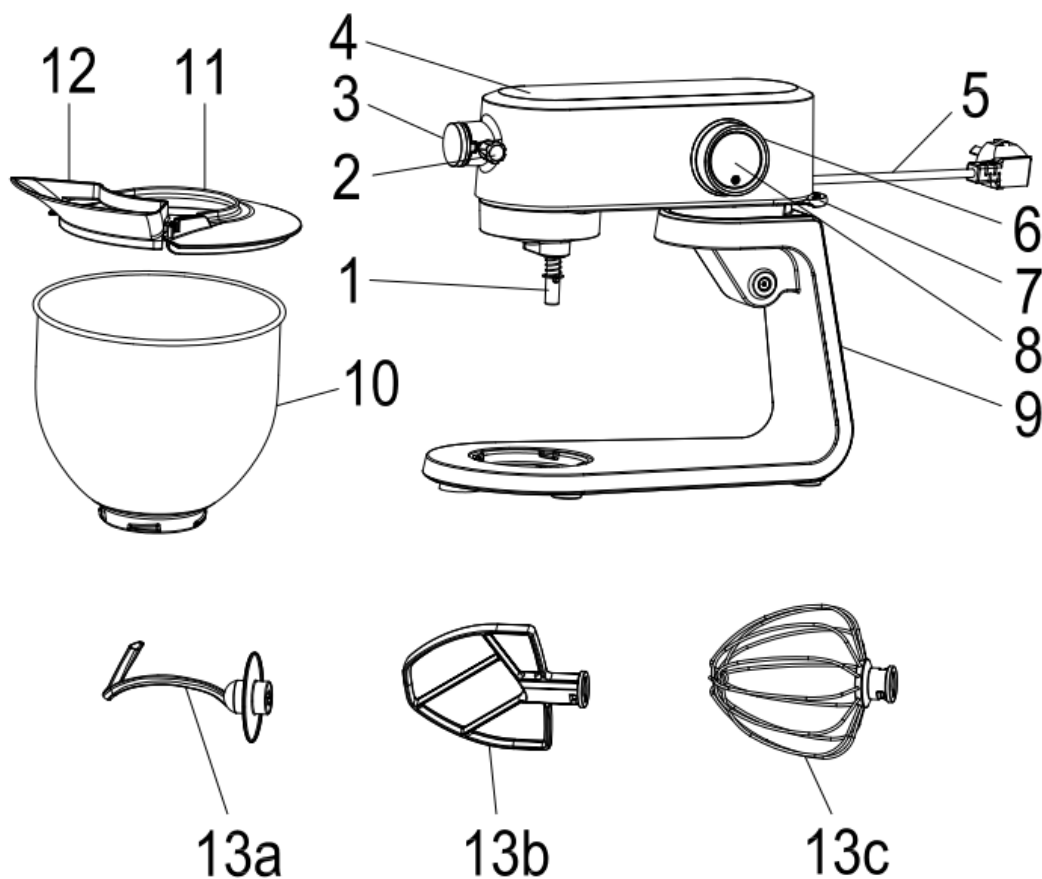
This appliance must be grounded while in use to protect the operator from electrical shock. The appliance is equipped with a 3-conductor cord and a 3-prong grounding-type plug to fit the proper grounding-type receptacle.

EXTENSION CORDS

Use only 3-wire extension cords which have 3-prong grounding-type plugs and 3-pole cord connectors that accept the plug from the appliance. Use only extension cords having an electrical rating not less than the rating of the appliance. Do not use damaged extension cords. Examine extension cord before using and replace if damaged. Do not abuse extension cord and do not yank on any cord to disconnect. Keep cord away from heat and sharp edges.

Overview of the Components

2 . Names of parts



Main Components and Standard Accessories:

1	Driver shaft	9	Support
2	Screw	10	Mixing bowl
3	Front cover	11	Splash Cover
4	Drive arm	12	Funnel
5	Power cord	13a	Hook
6	Operation and Level regulator	13b	Beater
7	Level for raising and Lowering arm	13c	Whisk
8	Power Switch&LED		

3、 Technical data

Model: KM124

Rated voltage: 220-240V~, 50/60Hz

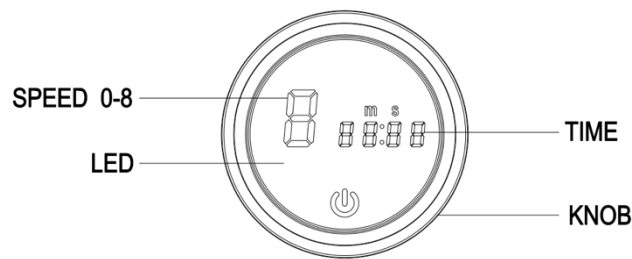
Power consumption: 800W

Protection class: I

This device has been tested according to all relevant current CE guidelines, such as electromagnetic compatibility and low voltage directives, and has been constructed in accordance with the latest safety regulations. Subject to technical changes without prior notice!

3. Operating the appliance

3.1 Speed regulator Timing display

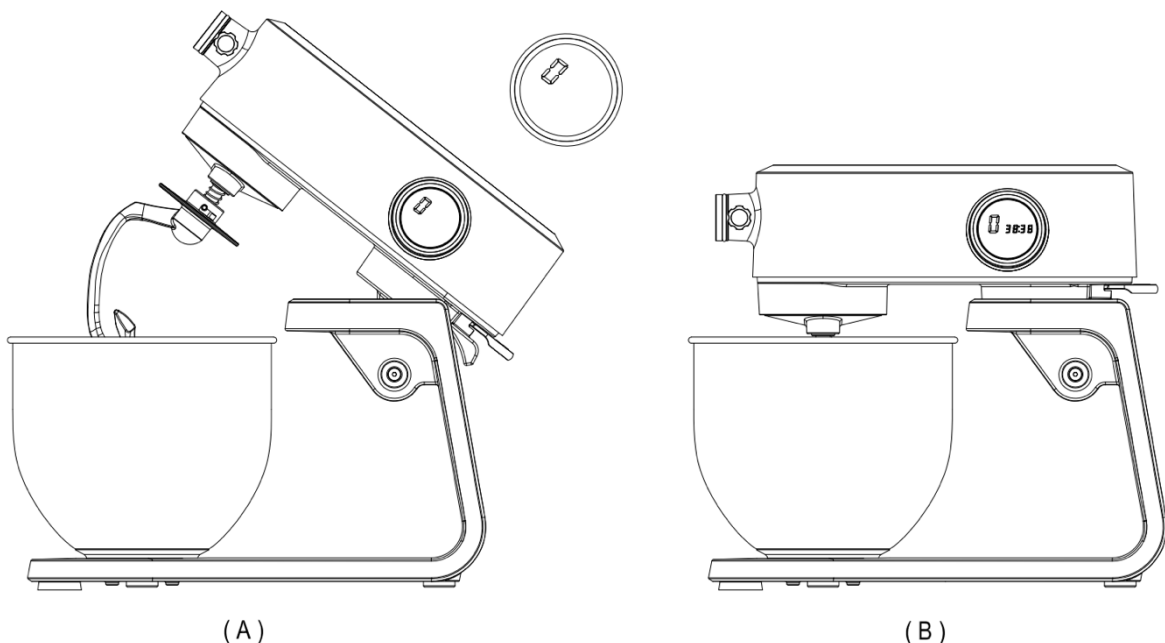


- 1、 Power plug connected to the power supply and press the power switch (8), the speed show "0" and the time show "00:00".
- 2、 When the speed show "0", if the consumer forget to turn off the power switch, 5 minutes the LED will no display and the machine return to standby mode automatically.
- 3、 Turn the knob CW one time, the speed rise 1 (0-8), opposite turn the knob CCW one time, the speed falling 1 (8-0).

Countdown Function:

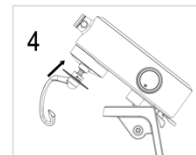
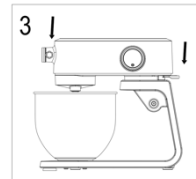
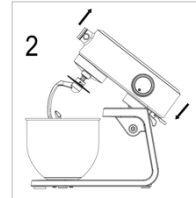
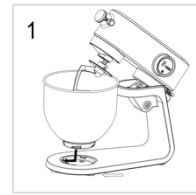
The count-down timer is for any recipe that specifies the length of time ingredients should be mixed.

1. To set the count-down time, rotate the knob anticlockwise for 3 seconds.
2. Preset time is 2 minutes as 02:00 displayed on the LED screen.
3. Rotate the knob clockwise once, time increases 10 seconds, that is 2 minutes plus 10 seconds. Rotate the knob anticlockwise once, time decreases 10 seconds, that is 1 minute plus 50 seconds.
4. Rotate the knob anticlockwise for 3 seconds, timer is fixed and countdown is well set.
5. Rotate the knob clockwise to select the speed and machine will start to work. It will automatically turn off when the timer has finished counting down.



4. Using the Mixing Bowl

1. Place the mixing bowl into its holding device and turn the dish in the direction of LOCK until it locks into place.(picture 1)
2. In order to lift the drive arm, press the lever (7) downwards in the direction of the arrow. The drive arm will now move upwards.(picture 2)
3. Mount the required utensil by inserting the top into the drive shaft and locking the cotter pin in the shaft by turning to the right.(picture 4)
4. Now fill in your ingredients. Do not overfill the machine - the maximum quantity of ingredients is 1.5 kg.
5. Lower the arm using the lever (7).(picture 3)
6. Insert the mains plug into a properly installed 220-240V~, 50/60Hz safety power socket.
7. Turn the machine using the speed regulator(6) to a speed between 1 and 8 (corresponding to the mixture).



Adjusting the Levels and Using the Hook for not more than 1.5kg of Mixture

Levels	Use	Type of Mixture
1-3	Hook	Heavy mixtures(e.g. bread or short pastry) Medium-heavy mixtures(e.g. crepes or sponge mixture)
1-8	hook, beater Whisk	Light mixtures (e.g. cream, egg white, blanchmange)

NOTE:

- I **Short operation time:** With heavy mixtures, do not operate the machine for more than 10 min,
and then allow it to cool down for a further 10 min.
- I Use the splash guard to protect against liquid mixtures.
- Mixing the egg with whisk need 3min

8. After kneading/stirring turn the switch (6) back to the “0” position as soon as the mixture has formed a ball. Then remove the mains plug.

9. Press the lever (7) downwards and the arm will be raised.

10. The mixture can now be released with the help of a spatula and removed from the mixing bowl.

11. The mixing bowl can now be removed by turning to the left.

12. Clean the parts as described under “Cleaning” .

Suggested Recipes

Sponge Mixture (Basic Recipe), Level 3-4

Ingredients:

250grams soft butter or margarine, 250grams sugar, 1 packet vanilla sugar or 1 bag Citro-Back, 1 pinch of salt, 4 eggs, 500grams wheat fl our, 1 packet baking powder, approx. 1/8 litre milk.

Preparation:

Transfer the wheat fl our and the remaining ingredients to the mixing bowl, stir with the stirrer for 30 seconds on level 1, then for approximately 3 minutes on level 3. Grease a tin or cover with baking paper. Fill in the mixture and bake. Before the cake is removed from the oven, test to see if it is done. With a sharp wooden stick pierce the centre of the cake. If no mixture sticks to it, the cake is cooked. Turn the cake on to a cake grid and allow to cool.

Traditional Oven

Insertion height: 2

Heating: electric oven, top and bottom heat 175-200° Celsius; gas oven: level 2-3

Baking time: 50-60 minutes

Depending on taste, this recipe can be changed, for example with 100g raisins or 100g nuts or 100g grated chocolate. In fact, the possibilities are endless.

Linseed Bread Rolls, Level 1-2

Ingredients:

500-550g wheat flour, 50g linseed, 3/8 litre water, 1 cube of yeast (40g), 100g low-fat curds, well drained,

1 tsp salt. For coating: 2 tbsp of water.

Preparation:

Soak the linseed in 1/8 litre of lukewarm water. Transfer the remaining lukewarm water (1/4 litre) into the mixing bowl, crumble in the yeast, add the curds and mix with the kneading hook on level 2. The yeast must be completely dissolved. Put the flour with the soaked linseed and the salt into the mixing bowl. Knead thoroughly on level 1, then switch to level 2 and continue kneading for 3-5 minutes. Cover the mixture and allow to rise in a warm place for 45-60 minutes. Knead thoroughly once more, remove from the bowl and form sixteen rolls. Cover the baking tin with wet baking paper. Place the rolls on this and allow to rise for 15 minutes. Coat with lukewarm water and bake.

Note:

The above formula do not operate the machine for more than 10 min and then allow it to cool down for a further 10 min.

Traditional Oven:

Insertion height: 2

Heating: electric oven: top and bottom heat 200-220°C (preheated for 5 minutes), gas oven level 2-3

Baking time: 30-40 minutes

Chocolate Cream, Level 5-6

Ingredients:

200ml sweet cream, 150g semi-bitter chocolate coating, 3 eggs, 50-60g sugar, 1 pinch of salt, 1 packet of vanilla sugar, 1 tablespoon cognac or rum, chocolate flakes.

Preparation:

Beat the cream in the mixing bowl with the whisk until stiff. Remove from the bowl and place somewhere to cool. Melt the chocolate coating in accordance with the instructions on the packet

or in the microwave at 200W for 3 min. In the meantime, beat the eggs, sugar, vanilla sugar, cognac or rum and salt in the mixing bowl with the whisk on level 3 to form a foam. Add the melted chocolate and stir in evenly on level 5-6. Leave a little of the cream for decoration. Add the remaining cream to the creamy mixture and stir in briefly using the pulse function. Decorate the chocolate cream and serve well cooled.

Warning

- Before cleaning remove the mains lead from the socket.
- When leaving the machine at work, please cut off the power of machine.
- Never immerse the housing with motor in water!
- Do not use any sharp or abrasive detergents.

Cleaning

- Before cleaning remove the mains lead from the socket.
- Never immerse the housing with motor in water!
- Do not use any sharp or abrasive detergents.
- After operation, all the accessories should be cleaned as soon as possible in order to avoid the ingredients stick on the accessories for long time and difficult to clean.
- The bowl, dough hook, beater, whisk, pasta maker should put into water and cleaning with dishcloth or brush (Sometimes can dip in water for 10 minutes first, it will be easier to clean)
- The meat grinder and salad maker should be flushed against the tap and use brush to wash (especially the food tray and blade of meat grinder accessories and the cutter of salad maker)
- Be careful you hand get hurt when cleaning.

Motor Housing

- Only a damp rinsing cloth should be used to clean the outside of the housing.

Mixing Bowl, Mixing Equipment

CAUTION:

- The components are not suitable for cleaning in a dishwasher. If exposed to heat or caustic cleaners they might become misshapen or discolored.
- Components that have come into contact with food can be cleaned in soapy water.

WARNING:

Danger of injury!

- Allow the parts to dry thoroughly before reassembling the device.
- Please apply a small quantity of vegetable oil likely to the screens after they have dried.

WARRANTY

The warranty period for our products is 2 years, unless otherwise stated, starting from the date of initial purchase or the date of delivery.

If you have any problems or questions, you can easily access our help pages, troubleshooting tips, FAQ, and user manuals on our service site: <https://sav.hkoenig.com>.

By typing the reference name of your device in the search bar, you can access all available online support, designed to best meet your needs.

If you still cannot find an answer to your question or problem, then click on "Did the answer solve your problem?". This will direct you to the Customer Support Request Form, which you can fill out to validate your request and get help.

WARRANTY CONDITIONS

The warranty covers all failures occurring under normal use, in accordance with the usage and specifications in the user's manual.

This warranty does not apply to packaging or transportation problems during shipment of the product by the owner. It also does not include normal wear and tear of the product, nor maintenance or replacement of consumable parts.

EXCLUSION OF WARRANTY

- Accessories and wearing parts (*).
- Normal maintenance of the device.
- All breakdowns resulting from improper use (shocks, failure to comply with power supply recommendations, poor conditions of use, etc.), insufficient maintenance or misuse of the device, as well as the use of unsuitable accessories.
- Damage of external origin: fire, water damage, electrical surge, etc.
- Any equipment that has been disassembled, even partially, by persons other than those authorized to do so (notably the user).
- The products whose serial number would be missing, deteriorated or illegible that would not allow its identification.
- The products subjected to leasing, demonstration, or exhibition.

(*) Some parts of your device, called wear parts or consumables, deteriorate with time and frequency of use of your device. This wear and tear are normal but can be accentuated by poor conditions of use or maintenance of your device. These parts are therefore not covered by the warranty.

The accessories supplied with the device are also excluded from the warranty. They cannot be exchanged or refunded. However, some accessories can be purchased directly through our website: <https://sav.hkoenig.com/>.

ENVIRONMENT

CAUTION:



Do not dispose of this product as it has with other household products. There is a separation of this waste product into communities, you will need to inform your local authorities about the places where you can return this product. In fact, electrical and electronic products contain hazardous substances that have harmful effects on the environment or human health and should be recycled. The symbol here indicates that electrical and electronic equipment should be chosen carefully, a wheeled waste container is marked with a cross.

Adeva SAS / H.Koenig Europe - 8 rue Marc Seguin, 77290 Mitry-Mory, France
www.hkoenig.com - <https://en.hkoenig.com> - Tél: +33 1 64 67 00 05

FRANÇAIS

Consignes de sécurité

Lorsque l'on utilise un appareil électrique, il faut toujours respecter des précautions de base, y compris celles-ci :

- Pour se protéger contre les risques de choc électrique, ne mettez pas l'appareil et son cordon d'alimentation dans l'eau ou dans un autre liquide. Si le cordon d'alimentation est endommagé, il doit être remplacé par le fabricant, son agent de service ou des personnes ayant une qualification similaire afin d'éviter tout accident.
- Une surveillance étroite est requise lors de l'utilisation de tout appareil par des enfants ou à proximité d'eux.
- Cet appareil ne doit pas être utilisé par des enfants. Ne laissez pas l'appareil et son cordon d'alimentation à leur portée.
- Débranchez toujours l'appareil de la prise électrique s'il est laissé sans surveillance, mais aussi avant l'assemblage, le démontage ou le nettoyage.
- Éteignez et débranchez l'appareil avant de remplacer les accessoires ou de toucher les pièces qui sont en mouvement.
- Des précautions doivent être prises lors de la manipulation des lames coupantes, du vidage du bol et pendant le nettoyage.
- Cet appareil peut être utilisé par des personnes dont les capacités physiques, sensorielles ou mentales sont réduites ou dont l'expérience ou les connaissances ne sont pas suffisantes, à condition qu'elles bénéficient d'une surveillance ou qu'elles aient reçu des instructions quant à l'utilisation de l'appareil en toute sécurité et qu'elles en comprennent bien les dangers potentiels.

- Débranchez l'appareil de la prise lorsque celui-ci n'est pas utilisé, avant de mettre ou d'enlever des pièces mobiles et avant de le nettoyer.
- Évitez tout contact avec les pièces mobiles. Gardez vos mains, vos cheveux, vos vêtements, ainsi que les spatules et autres ustensiles à l'écart des fouets pendant le fonctionnement, afin de réduire les risques de blessure et / ou de détérioration du mixeur.
- N'utilisez pas l'appareil si le cordon d'alimentation ou la prise est endommagée, ni après un dysfonctionnement, une chute ou un quelconque dégât à l'appareil. Renvoyez l'appareil au centre de service agréé le plus proche afin qu'il fasse l'objet d'un contrôle, d'une réparation, voire d'un réglage électrique ou mécanique.
- L'utilisation d'accessoires, qui ne sont pas recommandés ou vendus par le fabricant de cet appareil, pourrait provoquer un incendie, une électrocution ou une blessure.
- N'utilisez pas l'appareil à l'extérieur. Ce produit est uniquement conçu pour un usage domestique.
- Ne laissez pas le câble pendre sur le bord d'une table ou d'un comptoir.
- Enlevez les fouets du mixeur avant de les laver.
- Cet appareil peut être utilisé par des enfants d'au moins 8 ans, tant qu'ils sont surveillés et ont reçu des instructions pour utiliser l'appareil en toute sécurité et sont pleinement conscients des dangers encourus.
- Le nettoyage et l'entretien ne doivent pas être effectués par des enfants à moins qu'ils aient au moins 8 ans et qu'ils soient surveillés par un adulte.
- Gardez l'appareil et son cordon d'alimentation hors de portée des enfants de moins de 8 ans.
- Lors de l'utilisation d'équipements électriques, des précautions de sécurité doivent toujours être prises pour

éviter les risques d'incendie, d'électrocution et / ou de blessure en cas de mauvaise utilisation.

- Assurez-vous que la tension nominale sur la plaque signalétique corresponde à la tension principale de votre installation. Si ce n'est pas le cas, contactez le revendeur et ne branchez pas l'appareil.

- Conservez ce manuel en lieu sûr et transmettez-le avec l'appareil au futur utilisateur.

- L'emploi de l'appareil est uniquement domestique et en intérieur.

- Votre appareil a été conçu pour un usage domestique seulement. Elle n'a pas été conçue pour être utilisée dans les cas suivants qui ne sont pas couverts par la garantie :

– dans des coins de cuisines réservés au personnel dans des magasins, bureaux et autres environnements professionnels,

– dans des fermes auberges,

– par les clients des hôtels, motels et autres environnements à caractère résidentiel,

– dans des environnements de type chambres d'hôtes.

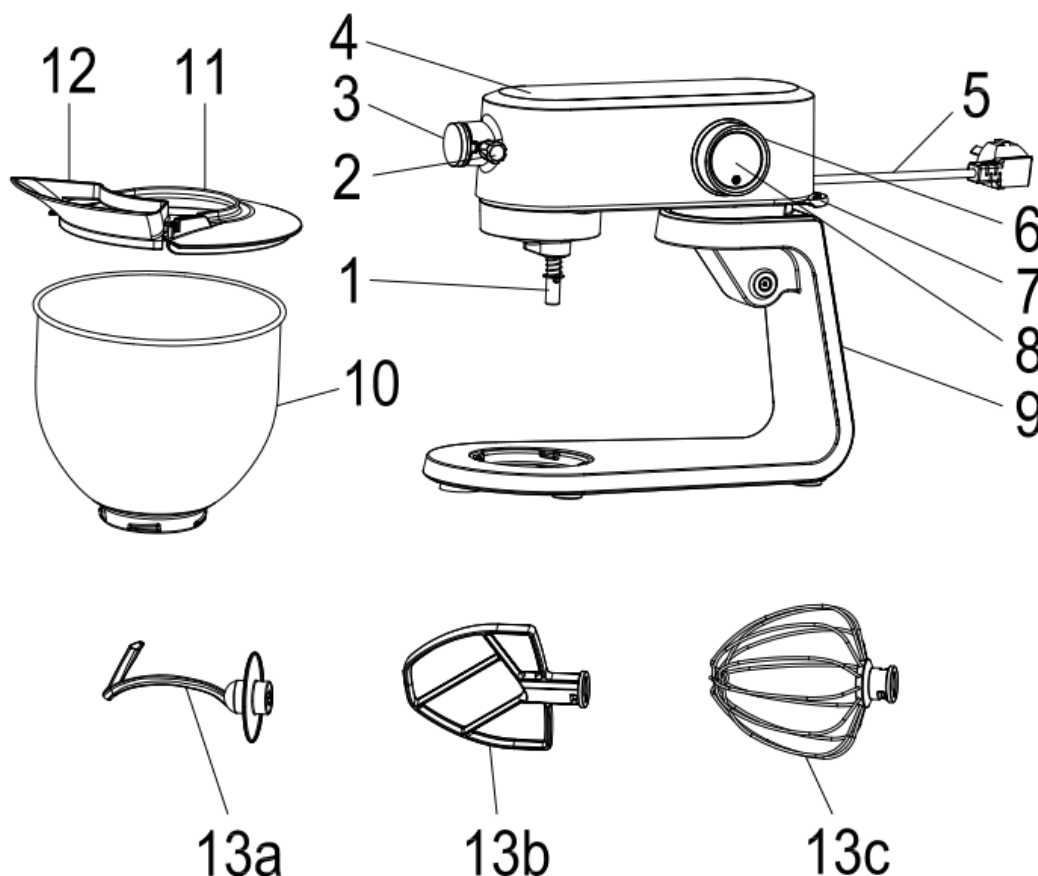
INSTRUCTIONS DE MISE À LA TERRE

Cet appareil doit être mis à la terre lors de son utilisation afin de protéger l'utilisateur contre les chocs électriques. L'appareil est équipé d'un cordon à 3 conducteurs et d'une fiche à 3 broches pour l'insertion dans une prise de terre appropriée.

RALLONGES ÉLECTRIQUES

Utilisez uniquement des rallonges à 3 fils munies de fiches à 3 broches avec mise à la terre et de connecteurs de câble à 3 pôles acceptant la fiche de l'appareil. Utilisez uniquement des rallonges électriques dont la puissance nominale n'est pas inférieure à celle de l'appareil. N'utilisez pas de rallonges endommagées. Examinez la rallonge avant de l'utiliser et remplacez-la si elle est endommagée. Ne maltraitez pas la rallonge et ne tirez sur aucun cordon pour la déconnecter. Gardez le cordon à l'écart de la chaleur et des objets tranchants.

2 . Names of parts



Éléments principaux et accessoires standard :

1	Arbre d'entraînement	9	Support
2	Vis	10	Bol
3	Couvercle avant	11	Couvercle de protection
4	Bras d'entraînement	12	Entonnoir
5	Cordon d'alimentation	13a	Crochet
6	Bouton de mise en marche et régulateur de niveau	13b	Batteur
7	Levier permettant de régler la hauteur du bras	13c	Fouet
8	Interrupteur et LED		

3 、 Données techniques

Modèle : KM124

Tension Nominale : 220-240 V, 50/60 Hz.

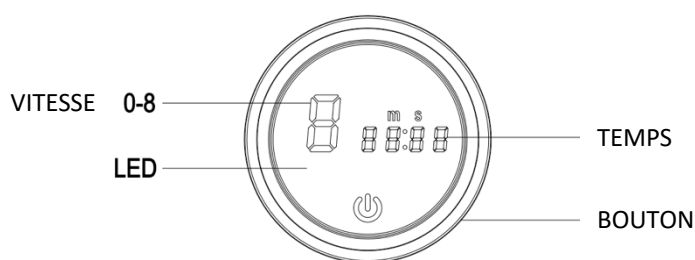
Consommation électrique : 800 W

Classe de protection : I

Cet appareil a été testé conformément à toutes les directives CE en vigueur, notamment en ce qui concerne la compatibilité électromagnétique et les directives relatives aux basses tensions, et a été construit conformément aux normes de sécurité les plus récentes. Sous réserve de modifications techniques sans préavis !

3. Utilisation de l'appareil

Régulateur de vitesse Minuteur



1. Brancher la fiche d'alimentation sur le secteur et appuyer sur l'interrupteur d'alimentation (8), la vitesse indique «0» et l'heure «00:00».
2. Lorsque la vitesse indique « 0 », si l'utilisateur oublie d'éteindre l'appareil pendant 5 minutes, rien ne s'affiche et l'appareil revient automatiquement en mode veille.
- 3, Tourner le bouton CW une fois, la vitesse augmente d'une unité (0-8). Tourner le bouton CCW une fois en sens inverse, la vitesse baisse d'une unité (8-0).

Fonction de compte à rebours :

Le compte à rebours est pour toute recette qui spécifie la durée de mélange des ingrédients.

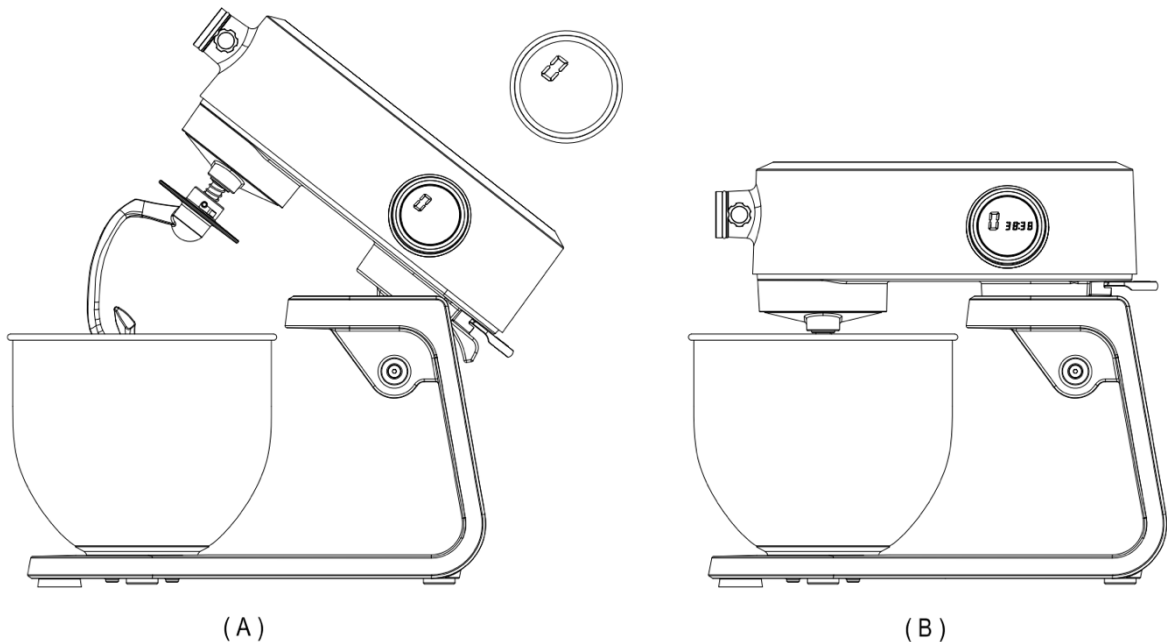
2. Pour régler le compte à rebours, tourner le bouton dans le sens inverse des aiguilles d'une montre pendant 3 secondes.

6. Le temps prédéfini est de 2 minutes, 02:00 étant affiché sur l'écran LED.

7. Tournez le bouton une fois dans le sens des aiguilles d'une montre, le temps augmente de 10 secondes, soit 2 minutes plus 10 secondes. Dans le sens inverse des aiguilles d'une montre, le temps diminue de 10 secondes, soit 1 minute plus 50 secondes.

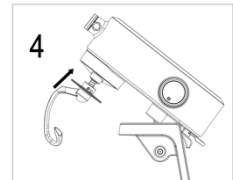
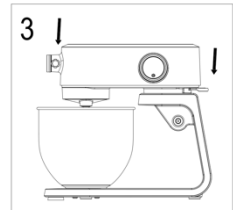
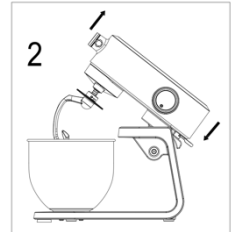
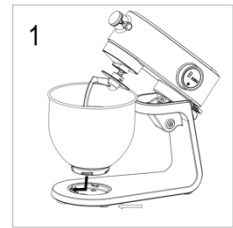
8. Tournez le bouton dans le sens inverse des aiguilles d'une montre pendant 3 secondes, la minuterie est fixe et le compte à rebours est bien réglé.

9. Tournez le bouton dans le sens des aiguilles d'une montre pour sélectionner la vitesse et l'appareil commencera à fonctionner. Il s'éteint automatiquement une fois le compte à rebours terminé.



Utilisation du bol mélangeur

1. Placer le bol dans son emplacement et le tourner en direction de LOCK jusqu'à ce qu'il se verrouille (Image 1).
3. Pour lever le bras d'entraînement, appuyer sur le levier (7) vers le bas dans le sens de la flèche. Le bras d'entraînement se déplace maintenant vers le haut (Image 2).
4. Monter l'ustensile requis en insérant le haut dans l'arbre d'entraînement et en bloquant la goupille fendue dans l'arbre en tournant vers la droite (Image 4).
5. Maintenant, remplir l'appareil avec vos ingrédients. Ne le remplissez pas excessivement. La quantité maximale d'ingrédients est de 1,5 kg.
5. Abaisser le bras à l'aide du levier (7) (Image 3).
10. Insérer la fiche dans une prise de courant 220-240V, 50 / 60Hz aux normes.
11. Allumer l'appareil à l'aide du régulateur de vitesse sur une vitesse comprise entre 1 et 8 (correspondant au mélange).



Réglage des niveaux et utilisation du crochet avec 1,5 kg de mélange au maximum

Niveaux	Utilisation	Type de mélange
1-3	crochet	Mélanges lourds (par ex. pâte à pain ou pâte brisée)
1-8	crochet, batteur fouet	Mélanges moyennement lourds (par exemple : crêpes) Mélanges légers (par ex. crème, blanc d'oeuf, blanc manger)

REMARQUE :

- I **Temps de fonctionnement court** : Avec des mélanges lourds, ne pas faire fonctionner l'appareil plus de 10 minutes, puis laissez-le refroidir pendant 10 minutes supplémentaires.
- I Utiliser le couvercle de protection pour vous protéger contre les mélanges liquides.
- Mélanger un œuf avec le fouet nécessite 3 minutes.

Après que l'appareil a pétri / mélangé son contenu, remettre le bouton (6) sur « 0 » dès que le mélange a formé une boule. Retirer ensuite la fiche de la prise.

Appuyer sur le levier (7) vers le bas et le bras se lèvera.

Le mélange peut maintenant être dégagé à l'aide d'une spatule et retiré du bol.

Vous pouvez maintenant retirer le bol mélangeur en le tournant vers la gauche.

Nettoyer les pièces comme décrit à la rubrique « Nettoyage ».

Recettes suggérées

Sponge cake (Recette de Base), Niveau 3-4

Ingrédients :

250 grammes de beurre mou ou de margarine, 250 grammes de sucre, 1 paquet de sucre vanillé ou 1 sac Citro-Back, 1 pincée de sel, 4 œufs, 500 grammes de farine de blé, 1 paquet de levure chimique, env. 1/8 litre de lait.

Préparation :

Placer la farine de blé et les autres ingrédients dans le bol, mélanger avec l'agitateur pendant 30 secondes au niveau 1, puis pendant environ 3 minutes au niveau 3. Graisser un moule ou couvrir avec du papier sulfurisé. Remplir le mélange et faire cuire. Avant de retirer le gâteau du four, vérifier s'il est cuit. Avec un bâtonnet pointu, percer le centre du gâteau. Si le mélange ne colle pas, le gâteau est cuit. Placer le gâteau sur une grille et le laisser refroidir.

Four Traditionnel

Hauteur d'insertion : 2

Chauffage : four électrique, chaleur supérieure et inférieure 175-200° C ; four à gaz : niveau 2-3

Temps de cuisson : 50-60 minutes

Selon les goûts, cette recette peut être modifiée, par exemple avec 100 g de raisins secs, 100 g de noix ou 100 g de chocolat râpé. En fait, les possibilités sont infinies.

Petits pains aux graines de lin, niveau 1-2

Ingrédients :

500-550g de farine de blé, 50g de graines de lin, 3/8 litre d'eau, 1 cube de levure (40g), 100g de lait caillé écrémé, bien égoutté,

1 petite cuillère de sel. Pour le nappage : 2 cuillères à soupe d'eau.

Préparation :

Tremper les graines de lin dans 1/8 litre d'eau tiède. Transférer l'eau tiède restante (1/4 litre) dans le bol, émietter la levure, ajouter le lait caillé et mélanger avec le crochet pétrisseur au niveau 2. La levure doit être complètement dissoute. Mettre la farine avec les graines de lin trempées et le sel dans le bol au niveau 1, puis passer au niveau 2 et continuer à pétrir pendant 3 à 5 minutes. Couvrir le mélange et laisser lever dans un endroit chaud pendant 45 à 60 minutes. Pétrir à nouveau soigneusement, retirer du bol et former seize rouleaux. Couvrir le moule avec du papier sulfurisé humide. Placer les petits pains dessus et les laisser lever pendant 15 minutes. Recouvrir avec de l'eau tiède et cuire.

Remarque :

La recette ci-dessus ne fait pas fonctionner l'appareil pendant plus de 10 minutes et le laisse ensuite refroidir pendant 10 minutes supplémentaires.

Four Traditionnel :

Hauteur d'insertion : 2

Chauffage : four électrique avec chaleur supérieure et inférieure 200-220°C (préchauffé pendant 5 minutes), four à gaz niveau 2-3

Temps de cuisson : 30-40 minutes

Crème au Chocolat, niveau 5-6

Ingrédients :

200 ml de crème sucrée, 150 g de chocolat moyennement amer, 3 œufs, 50 à 60 g de sucre, 1 pincée de sel, 1 sachet de sucre vanillé, 1 cuillère à soupe de cognac ou de rhum, des flocons de chocolat.

Préparation :

Battre la crème dans le bol avec le fouet jusqu'à une consistance ferme. Retirer du bol et placer quelque part pour laisser refroidir. Faire fondre le chocolat en suivant les instructions figurant sur l'emballage ou au micro-onde à 200 W pendant 3 minutes. Entre-temps, battre les œufs, le sucre, le sucre vanillé, le cognac ou le rhum et le sel dans le bol avec le fouet au niveau 3 pour former une mousse. Ajouter le chocolat fondu et remuer uniformément au niveau 5-6. Laissez un peu de crème pour la décoration. Ajouter le reste de la crème au mélange crémeux et remuer brièvement en utilisant la fonction d'impulsion. Décorer la crème au chocolat et servir une fois bien refroidi.

Avertissement

- Avant le nettoyage, débranchez le cordon d'alimentation de la prise.
- Lorsque vous laissez l'appareil en cours de travail, veuillez l'éteindre.
- Ne plongez jamais le bloc-moteur dans l'eau !
- N'utilisez pas de détergents caustiques ou abrasifs.

Nettoyage

- Avant le nettoyage, débranchez le cordon d'alimentation de la prise.
- Ne plongez jamais le bloc-moteur dans l'eau !
- N'utilisez pas de détergents caustiques ou abrasifs.
- Après l'opération, tous les accessoires doivent être nettoyés dès que possible afin d'éviter que les ingrédients ne collent sur les accessoires pendant une longue période et qu'ils soient difficiles à enlever.
- Le bol, le crochet à pâte, le batteur, le fouet, la machine à pâtes doivent être mis dans l'eau et nettoyés avec un torchon ou une brosse (on peut parfois d'abord les tremper dans l'eau pendant 10 minutes, ce sera plus facile à nettoyer).
- Le hachoir à viande et la machine à salade doivent être rincés au robinet et lavés avec une brosse (en particulier le plateau et la lame des accessoires du hachoir à viande et le couteau de la machine à salade).

- Faites attention de ne pas vous écorcher lors du nettoyage.

Bloc-moteur :

- Seul un chiffon humide doit être utilisé pour nettoyer l'extérieur.

Bol mélangeur, accessoires pour mixer

ATTENTION :

- Les accessoires ne doivent pas être nettoyés dans le lave-vaisselle. S'ils sont soumis à la chaleur ou aux nettoyants caustiques, ils peuvent se déformer ou se décolorer.

- Les accessoires qui ont été en contact avec des aliments peuvent être nettoyés à l'eau savonneuse.

AVERTISSEMENT :

- Risque de blessure !

- Laissez les pièces sécher complètement avant de remonter l'appareil.

- Veuillez appliquer une petite quantité d'huile végétale sur les tamis après séchage.

GARANTIE

La durée de garantie de nos produits est de 2 ans, sauf décret en vigueur, à compter de la date d'achat initiale ou la date de livraison.

En cas de problèmes ou d'interrogations, vous pouvez facilement accéder à nos pages d'aides, conseils de dépannage, FAQ et modes d'emplois sur notre site SAV : <https://sav.hkoenig.com>.

En tapant le nom de référence de votre appareil dans la barre de recherche, vous accédez à tous les supports en ligne disponibles, conçus pour vous répondre au mieux à vos besoins.

Si vous ne trouvez toujours pas de réponse à votre question ou votre problème, alors cliquez sur « Est-ce que la réponse a résolu votre problème ? ». Vous accéderez alors au formulaire de demande d'assistance SAV, qu'il vous suffira de compléter pour valider votre demande et obtenir de l'aide.

CONDITIONS DE GARANTIE

La garantie couvre l'ensemble des pannes survenant dans le cadre d'une utilisation normale, conforme aux usages et spécifications présentes sur le manuel d'utilisation.

Cette garantie ne s'applique pas aux problèmes d'emballage ou de transport pendant l'expédition du produit par son propriétaire. Elle n'inclut également pas l'usure normale du produit, ni la maintenance ou le remplacement de pièces consommables.

EXCLUSION DE GARANTIE

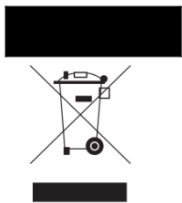
- Les accessoires et les pièces d'usure (*).
- L'entretien normal de l'appareil.
- Toutes pannes survenant par suite d'une mauvaise utilisation (chocs, non-respect des préconisations d'alimentation électrique, mauvaises conditions d'utilisation, etc.), d'un entretien insuffisant ou d'un détournement de fonction de l'appareil, ainsi que l'usage d'accessoires non appropriés.
- Les dommages d'origine externe : incendie, dégâts des eaux, surtension électrique, etc.
- Tout matériel qui aura été démonté même partiellement par des personnes autres que celles habilitées (notamment l'utilisateur).
- Les produits dont le numéro de série serait absent, détérioré ou illisible que ne permettrait pas son identification.
- Les produits soumis à la location, à la démonstration ou à l'exposition.

(*) Certaines pièces de votre appareil dites pièces d'usure ou consommables se détériorent avec le temps et la fréquence d'usage de votre appareil. Cette usure est normale, mais peut être accentuée par des mauvaises conditions d'utilisation ou entretien de votre appareil. Ces pièces ne sont donc pas couvertes par la garantie.

Les accessoires fournis avec l'appareil sont également exclus du champ de la garantie. Ils ne peuvent donc être ni échangés, ni remboursés. Toutefois, certains accessoires peuvent être directement achetés via notre site : <https://sav.hkoenig.com/>.

ENVIRONNEMENT

ATTENTION :



Ne jetez pas cet appareil comme d'autres produits ménagers. Il existe un tri sélectif de ces déchets dans les municipalités, et vous devez vous informer auprès d'elles des endroits où vous pouvez jeter cet appareil. En fait, les produits électriques et électroniques contiennent des substances dangereuses ayant des effets nocifs sur l'environnement et la santé humaine, et ils doivent être recyclés. Le symbole ici (une poubelle sur roues marquée d'une croix) indique que les équipements électriques et électroniques doivent être choisis avec soin.

DEUTSCH

Sicherheitsanweisungen

- Bei der Nutzung von elektrischen Geräten müssen grundlegende Sicherheitsvorkehrungen immer beachtet werden, einschließlich den folgenden:
- Dieses Gerät kann von Personen mit eingeschränkten körperlichen, sensorischen oder geistigen Fähigkeiten oder mangelnder Erfahrung und Kenntnis benutzt werden, vorausgesetzt, dass sie beaufsichtigt oder in der sicheren Benutzung des Gerätes unterwiesen werden und die möglichen Gefahren vollständig verstehen.
- Eine enge Aufsicht ist erforderlich, wenn das Gerät in der Nähe von oder von Kindern benutzt wird.
- Dieses Gerät darf nicht von Kindern benutzt werden. Bewahren Sie das Gerät und sein Kabel außer Reichweite von Kindern auf.
- Trennen Sie das Gerät immer von der Stromversorgung wenn es unbeaufsichtigt ist und vor der Montage, Demontage oder Reinigung.
- Schalten Sie das Gerät aus und trennen Sie dieses von der Stromversorgung bevor Sie das Zubehör austauschen oder mit beweglichen Teilen während der Nutzung in Kontakt kommen.
- Seien Sie besonders vorsichtig, wenn Sie die scharfen Schneidklingen handhaben, die Schüssel entleeren oder während der Reinigung.
- Das Gerät kann von Personen mit eingeschränkten physischen, sensorischen oder geistigen Fähigkeiten oder mangels Erfahrung und Wissen benutzt werden, wenn sie beaufsichtigt werden oder erhalten Anweisungen, wie das Gerät zu benutzen ist und kennen die damit angebundnen Gefahren. Kinder dürfen mit dem Gerät nicht spielen.

- Trennen Sie das Gerät beim Nichtgebrauch von der Steckdose, bevor Sie die Teile montieren oder abnehmen, und vor der Reinigung.
- Vermeiden Sie den Kontakt mit beweglichen Teilen. Halten Sie ihre Hände, Kleidungsstücke, genauso wie Spatel und andere Utensilien während des Betriebs von den Treibern fern, um Körperverletzungen und/oder Beschädigungen des Gerätes zu vermeiden.
- Bedienen Sie das Gerät nicht, wenn das Kabel oder der Stecker beschädigt sind, nach einer Fehlfunktion des Gerätes, nachdem es fallen gelassen oder auf jeglicher Weise beschädigt worden ist. Bringen Sie das Gerät zu nächstliegender autorisierter Servicestelle für eine Inspektion, Reparatur oder eine elektrische oder mechanische Anpassung.
- Die Nutzung des Zubehörs, das nicht von dem Hersteller empfohlen oder verkauft wurde, kann zu einem Brand, einem Stromschlag oder einer Verletzung führen.
- Benutzen Sie das Gerät nicht draußen. Dieses Produkt ist ausschließlich für die Haushaltsnutzung geeignet.
- Lassen Sie das Kabel über die Kante eines Tisches oder einer Theke nicht herunterhängen.
- Entfernen Sie die Treiber vor der Reinigung.
- Das Gerät kann durch Kinder ab 8 Jahren benutzt werden, wenn sie beaufsichtigt werden oder erhielten Anweisungen, wie das Gerät zu benutzen ist und kennen die damit angebandenen Gefahren.
- Die Reinigung und Wartung dürfen nicht von Kindern durchgeführt werden, es sei denn sie sind über 8 Jahre alt und werden von einem Erwachsenen beaufsichtigt.
- Bewahren Sie das Gerät und sein Kabel außer Reichweite von Kindern unter 8 Jahren auf.

- Während der Nutzung von elektrischen Geräten müssen grundlegende Sicherheitsvorkehrungen immer befolgt werden, um das Risiko eines Brandes, eines Stromschlages oder/und einer Verletzung im Falle eines Missbrauchs zu vermeiden.
- Vergewissern Sie sich bitte, ob die Spannung auf dem Typenschild mit der Netzspannung Ihrer Einrichtung übereinstimmt. Wenn dies nicht der Fall ist, kontaktieren Sie den Händler und schließen Sie das Gerät nicht an.
- Bewahren Sie diese Anleitung als künftige Referenz auf und geben Sie diese an künftige Nutzer zusammen mit dem Gerät weiter.
- Das Gerät darf nur im Haushalt und in Innenräumen benutzt werden.
- Ihr Gerät ist nur für den Hausgebrauch bestimmt. Es ist nicht für die Verwendung in den folgenden Situationen vorgesehen, die nicht von der Garantie abgedeckt sind:
 - in Personalküchen in Geschäften, Büros und anderen professionellen Umgebungen,
 - in Landgasthöfen,
 - von Gästen in Hotels, Motels und anderen Wohnumgebungen,
 - in Bed-and-Breakfast-Umgebungen.

ERDUNGSVORSCHRIFTEN

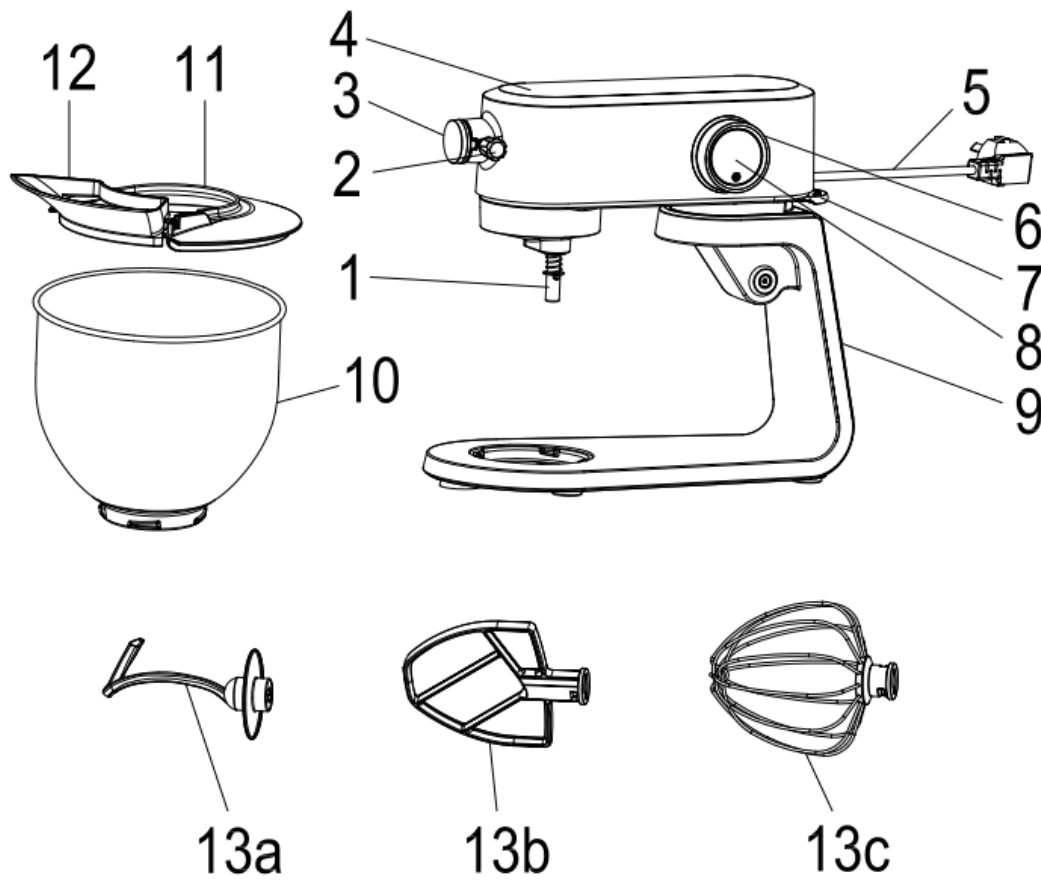
Dieses Gerät muss während der Bedienung geerdet werden, um den Nutzer vor einem Stromschlag zu schützen. Das Gerät ist mit einem 3-adrigen Kabel und einem geerdeten 3-Zacken Stecker ausgestattet, um zu einer ordnungsgemäßen Schukosteckdose zu passen.

VERLÄNGERUNGSKABEL

Benutzen Sie nur 3-adrige Verlängerungskabel mit geerdeten 3-Zacken Steckern und 3-poligen Schnursteckern, die zu dem Stecker des Gerätes passen. Benutzen Sie nur die Verlängerungskabel, deren elektrische Leistung nicht kleiner als die Leistung des Gerätes ist. Benutzen Sie keine beschädigten Verlängerungskabel. Überprüfen Sie das Verlängerungskabel vor der Nutzung und ersetzen Sie dieses, wenn es beschädigt ist. Misshandeln Sie das Verlängerungskabel nicht und reißen Sie nicht am Kabel, um es vom Netz zu trennen. Halten Sie das Kabel von der Hitze und scharfen Gegenständen fern.

Überblick über die Komponente

2 . Bezeichnung der Teile



Hauptkomponente und Standardzubehör

1	Treiberwelle	9	Unterlage
2	Schraube	10	Rührschüssel
3	Vordere Abdeckung	11	Spritzschutz
4	Antriebsarm	12	Trichter
5	Stromkabel	13a	Haken
6	Operations- und Pegelregler	13b	Treiber
7	Regler für Erhöhung und Reduzierung	13c	Schneebesen
8	Netzschalter&LED		

3、 Technische Daten

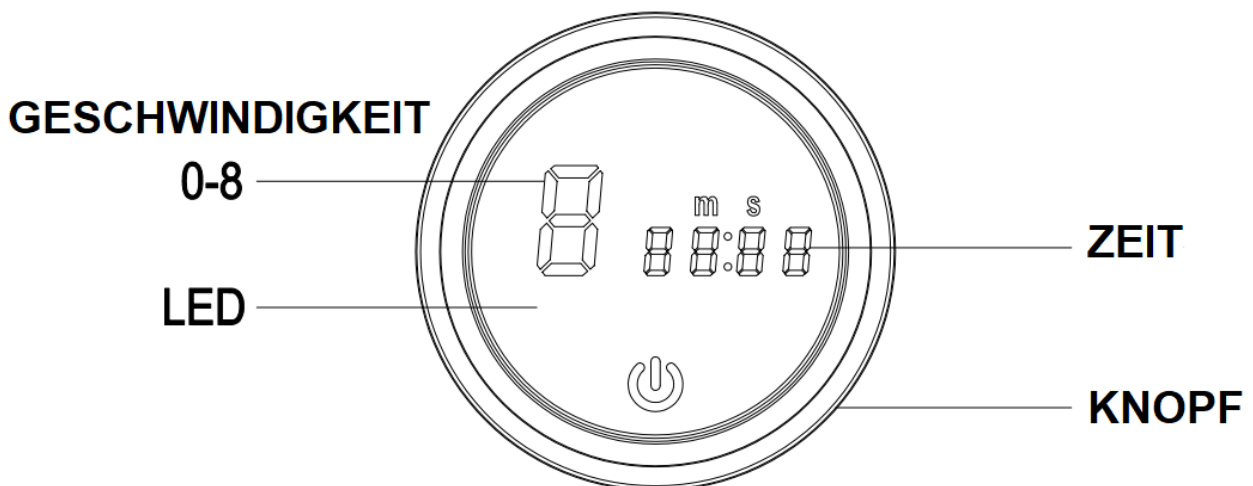
Model: KM124

Nennspannung: 220-240V~, 50/60Hz

Stromverbrauch: 800W

Schutzklasse: I

Dieses Gerät wurde gemäß allen entsprechenden CE Richtlinien getestet, wie z.B. elektromagnetische Verträglichkeit und niedrige Spannungsrichtlinien, und wurde nach den neuesten Sicherheitsvorschriften produziert. Technische Änderungen ohne Mitteilungspflicht vorbehalten!



3. Bedienung des Gerätes

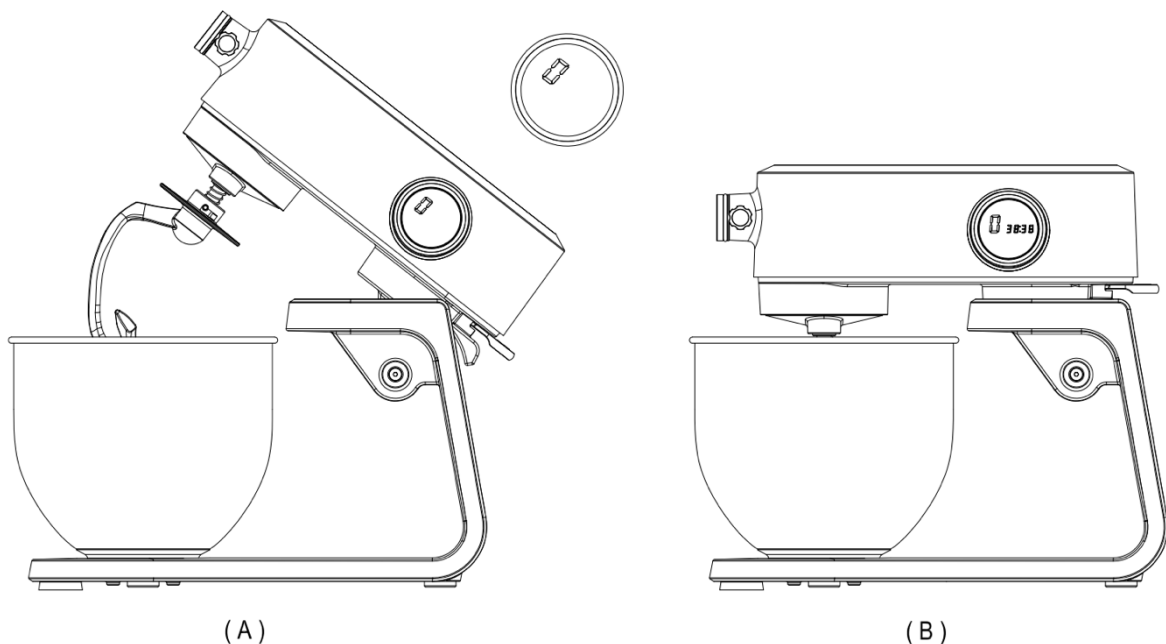
3.1 Geschwindigkeitsregler und Timing-Display

1. Schließen Sie das Gerät an die Stromversorgung an und drücken Sie auf den Power-Taste (8), die Geschwindigkeit zeigt "0", und die Zeit zeigt "00:00".
2. Wenn die Geschwindigkeit "0" zeigt, und der Nutzer vergessen hat, den Power-Schalter auszumachen, wird das LED Display nach 5 Minuten ausgehen und das Gerät wird automatisch den Standby-Modus betreten.
3. Drehen Sie den Knopf einmal rechtsläufig, die Geschwindigkeit wird um 1 steigen (0-8), entgegengesetzt drehen Sie den Knopf einmal linksläufig, die Geschwindigkeit wird um 1 (0-8) sinken.

Die Countdown-Funktion:

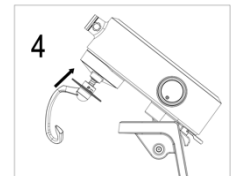
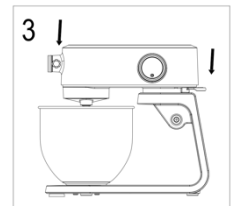
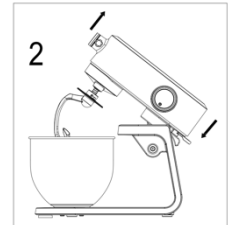
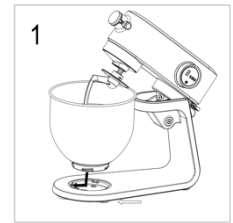
Die Countdown-Timer passt für jedes Rezept, in dem die genaue Zeit der Bearbeitung von Zutaten angegeben ist.

6. Um den Countdown-Timer einzustellen, drehen Sie den Knopf linksläufig für 3 Sekunden.
12. Voreingestellte Zeit beträgt 2 Minuten, als 02:00 auf dem LED Bildschirm angezeigt.
13. Drehen Sie den Knopf einmal rechtsläufig, die Zeit wird um 10 Sekunden erhöht, das bedeutet 2 Minuten und 10 Sekunden. Drehen Sie den Knopf einmal linksläufig, die Zeit wird um 10 Sekunden verringert, was bedeutet 1 Minute und 50 Sekunden.
14. Drehen Sie den Knopf linksläufig für 3 Sekunden, der Timer wird fixiert und der Countdown wird eingestellt.
15. Drehen Sie den Knopf rechtsläufig, um die Geschwindigkeit zu wählen, die Maschine wird den Betrieb starten. Das Gerät wird automatisch ausgehen, wenn die Schaltuhr abgelaufen ist.



4. Nutzung der Rührschüssel

1. Platzieren Sie die Rührschüssel in ihrer Halterung und drehen Sie diese in Richtung der SPERRE, bis sie einrastet (Abb. 1).
2. Um den Antriebsarm zu heben, schieben Sie den Hebel (7) herunter in Richtung des Pfeils. Der Antriebsarm wird sich nun nach oben bewegen (Abb.2).
3. Montieren Sie die benötigten Utensilien, indem Sie den Oberteil in die Antriebswelle einsetzen und den Federstecker in der Welle einsperren, indem Sie diese rechtsläufig drehen (Abb.4).
4. Jetzt können Sie die Zutaten hinzufügen. Überfüllen Sie das Gerät nicht- die maximale Menge der Zutaten beträgt 1,5 kg.
5. Lassen Sie den Arm mithilfe des Hebels (7) herunter (Abb. 3).
6. Setzen Sie den Steker in eine ordnungsgemäß installierte 220-240V~, 50/60Hz Steckdose ein.
7. Stellen Sie das Gerät mithilfe des Geschwindigkeitsreglers (6) auf die Geschwindigkeit zwischen 1 und 8 (entsprechend der Zutatenmischung) ein.



Die Anpassung der Stufen und die Nutzung des Hakens für nicht mehr als 1,5kg der Mischung

Stufen	Nutzung	Art der Mischung
1-3	Haken	Schwere Mischungen (z.B. Brot oder Mürbeteig)
1-8	Haken, Treiber	Mittelschwere Mischungen (z.B. Crêpes oder Rührteig)
	Schneebe- sen	Leichte Mischungen (z.B. Creme, Eiklar, Pudding)

HINWEIS:

- I **Kurze Betriebszeit:** Bei schweren Massen bedienen Sie das Gerät für nicht länger als 10 Minuten, danach lassen Sie dieses für weitere 10 Minuten abkühlen.
 - I Benutzen Sie den Spritzschutz, um sich vor flüssigen Mischungen zu schützen.
 - Man braucht 3 Minuten, um Eier mit dem Schneebesen aufzuschlagen.
8. Nach dem Kneten/ Umrühren drehen Sie den Schalter (6) zurück in die "0" Position, sobald die Mischung zu einem Ball geformt wurde. Danach ziehen Sie den Stecker.
9. Drücken Sie den Hebel (7) herunter, der Arm wird hochgehen.
10. Die Mischung kann jetzt mithilfe eines Spatels aus der Rührschüssel entnommen werden.
11. Sie können die Rührschüssel entfernen, indem Sie diese linksläufig drehen.
12. Reinigen Sie die Teile auf die in dem Abschnitt "Reinigung" beschriebener Weise.

Vorgeschlagene Rezepte

Rührteig (Grundrezept), Stufe 3-4

Zutaten:

250g weiche Butter oder Margarine, 250g Zucker, 1 Packung Vanillezucker oder 1 Beutel Citronenback, 1 Prise Salz, 4 Eier, 500g Weizenmehl, 1 Packung Backpulver, ca. 1/8 Liter Milch.

Zubereitung:

Geben Sie das Weizenmehl und die restlichen Zutaten in die Rührschüssel dazu, rühren Sie die Mischung mit dem Rührstab für 30 Sekunden bei der Stufe 1 um, dann ca. 3 Minuten bei der Stufe 3. Schmieren Sie das Blech ein oder decken Sie dieses mit Backpapier ab. Legen Sie die Mischung aus und backen Sie diese. Bevor der Kuchen aus dem Ofen genommen wird, überprüfen Sie, ob dieser fertig ist. Stechen Sie die Mitte des Kuchens mit einem Zahnstocher durch. Wenn kein Teig klebt daran, ist der Kuchen fertig. Stellen Sie den Kuchen auf dem Gitter ab und lassen Sie diesen abkühlen.

Traditioneller Ofen:

Einsatz-Höhe: 2

Hitze: Elektro-Ofen: obere und untere Hitze 175-200° Celsius; Gasofen Stufe 2-3

Backzeit: 50-60 Minuten

Je nach Geschmack kann dieses Rezept geändert werden, z.B. mit 100g Rosinen oder 100g Nüsse oder 100g Schokoraspe. eigentlich sind die Möglichkeiten grenzlos.

Leinsamen-Brötchen, Stufe 1-2

Zutaten:

500-550g Weizenmehl, 50g Leinsamen, 3/8 Liter Wasser, 1 Würfel Backhefe (40g), 100g Magerquark, gut abgetupft, 1 Teelöffel Salz. Für die Beschichtung: 2 Esslöffel Wasser.

Zubereitung:

Lassen Sie die Leinsamen in 1/8 Liter lauwarmes Wasser einweichen. Gießen Sie das restliche lauwarme Wasser (1/4 Liter) in die Rührschüssel, zerbröseln Sie die Hefe darein, fügen Sie den Quark hinzu und vermengen Sie die Mischung mit dem Knethaken bei der Stufe 2. Die Hefe muss sich komplett auflösen. Platzieren Sie das mit eingeweichten Leinsamen und Salz in der Rührschüssel. Kneten Sie diese bei der Stufe 1 durch, dann schalten Sie auf die Stufe 2 um und führen Sie den Knetvorgang für 3-5 Minuten fort. Bedecken Sie die Mischung und lassen Sie diese an einem warmen Ort für 45-60 Minuten aufgehen. Noch einmal durchkneten, aus der Schüssel entfernen und 16 Rollen formen. Decken Sie das Backblech mit feuchtem Backpapier ab. Platzieren Sie die Rollen darauf und lassen Sie diese für 15 Minuten aufgehen. Mit Wasser bedecken und backen lassen.

Hinweis:

Bedienen Sie das Gerät für nicht länger als 10 Minuten und dann lassen Sie das Gerät für weitere 10 Minuten abkühlen.

Traditioneller Ofen:

Einsatz-Höhe: 2

Hitze: Elektro-Ofen: obere und untere Hitze 200-220°C (für 5 Minuten vorgeheizt), Gasofen Stufe 2-3

Backzeit: 30-40 Minuten

Schokoladencreme, Stufe 5-6

Zutaten:

200 ml Süßrahm, 150g halb-bitter Schokoladenüberzug, 3 Eier, 50-60g Zucker, 1 Prise Salz, 1 Packung Vanillezucker, 1 Esslöffel Cognac oder Rum, Schokoladenraspel.

Zubereitung:

Den Rahm in der Rührschüssel mit dem Schneebesen steifschlagen. Aus der Schüssel entnehmen und kühl abstellen. Den Schokoüberzug entsprechend der Anweisungen auf der Verpackung oder in der Mikrowelle bei 200W für 3 Minuten schmelzen. Währenddessen die Eier, Zucker, Vanillezucker, Cognac oder Rum und Salz in der Rührschüssel mit dem Schneebesen auf der Stufe 3 zu Schaum aufschlagen. Fügen Sie die geschmolzene Schokolade hinzu und rühren Sie diese Mischung gleichmäßig bei der Stufe 5-6 um. Lassen Sie eine kleine Menge Crème für Deko. Fügen Sie die restliche Crème zu der cremigen Mischung hinzu und verrühren Sie diese kurz mithilfe der Pulse-Funktion. Mit Schokocreème dekorieren und gut gekühlt servieren.

Warnung

- Vor der Reinigung trennen Sie den Stecker von der Steckdose.
- Wenn Sie das Gerät auf der Arbeit lassen, trennen Sie bitte das Gerät vom Netz.
- Tauchen Sie das Gehäuse mit dem Motor nicht in Wasser!
- Benutzen Sie keine scharfen oder ätzenden Reinigungsmittel.

Reinigung

- Vor der Reinigung trennen Sie den Stecker von der Steckdose.
- Tauchen Sie das Gehäuse mit dem Motor nicht in Wasser!
- Benutzen Sie keine scharfen oder ätzenden Reinigungsmittel.
- Nach der Benutzung müssen alle Zubehörteile sobald wie möglich gereinigt werden, um das Festkleben der Zutaten auf den Teilen für eine längere Zeit zu vermeiden, was zu Schwierigkeiten bei der Reinigung führt.
- Die Schüssel, der Knethaken, der Treiber, der Schneebesen und der Pasta-Maker sollten im Wasser platziert und mit einem Tuch oder einer Bürste gereinigt werden. (Manchmal können Sie diese zuerst für 10 Minuten im Wasser einweichen lassen, dies wird die Reinigung vereinfachen).
- Der Fleischwolf und der Salat-Maker sollten unter dem Hahn abgespült und mithilfe einer Bürste gereinigt

werden (besonders das Lebensmittel-Tablett, die Klinge des Fleischwolfes, und das Messer des Salat-Makers.

- Passen Sie während der Reinigung auf Ihre Hände auf.
Motor-Gehäuse

- Only a damp rinsing cloth should be used to clean the outside of the housing. Nur ein leicht feuchtes Tuch benutzen, um die Außenfläche des Gehäuses zu reinigen.
Rührschüssel, Mischanlage

ACHTUNG:

- Die Komponente dürfen nicht in einer Spülmaschine gereinigt werden. Wenn der Hitze oder ätzenden Reinigungsmitteln ausgesetzt, können sich diese verformen oder verfärben.

- Die Zutaten, die in Kontakt mit Lebensmitteln kommen, können mit Seifenwasser gereinigt werden.

WARNUNG:

- Verletzungsgefahr!

- Lassen Sie die Teile vollständig abkühlen, bevor Sie das Gerät erneut zusammenbauen.

- Verwenden Sie bitte eine kleine Menge des Pflanzenöls auf den Bildschirmen, nachdem Sie getrocknet worden sind.

GARANTIE

Die Garantiezeit für unsere Produkte beträgt 2 Jahre, sofern keine anderen Bestimmungen gelten, ab dem Datum des ursprünglichen Kaufs oder ab dem Lieferdatum.

Bei Problemen oder Fragen können Sie sich an unsere Hilfeseiten, Tipps zur Fehlerbehebung, FAQs und Bedienungsanleitungen auf unserer Kundendienst-Website wenden:

<https://sav.hkoenig.com>.

Wenn Sie den Referenznamen Ihres Geräts in die Suchleiste eingeben, erhalten Sie Zugang zu allen verfügbaren Online-Supports.

Wenn Sie immer noch keine Antwort auf Ihre Frage oder Ihr Problem finden, dann klicken Sie auf "Hat die Antwort Ihr Problem gelöst?". Sie können dieses Formular ausfüllen, um Ihre Anfrage zu bestätigen und Hilfe zu erhalten.

GARANTIEBEDINGUNGEN

Die Garantie deckt alle Defekte ab, die bei normalem, bestimmungsgemäßem Gebrauch und den in der Bedienungsanleitung enthaltenen Spezifikationen auftreten.

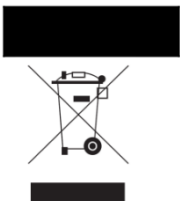
Diese Garantie gilt nicht für Probleme mit der Verpackung oder dem Transport während des Versands des Produkts durch den Eigentümer. Sie umfasst auch nicht den normalen Verschleiß des Produkts, die Wartung oder den Austausch von Verschleißteilen.

AUSSCHLUSS DER GARANTIE

- Zubehör und Verschleißteile (*).
- Die normale Wartung des Geräts.
- Alle Defekte, die durch unsachgemäßen Gebrauch (Stöße, Nichteinhaltung der empfohlenen Stromzufuhr, schlechte Nutzungsbedingungen usw.), unzureichende Wartung oder Zweckentfremdung des Geräts auftreten, sowie die Verwendung von ungeeignetem Zubehör.
- Schäden durch äußere Einflüsse: Brand, Wasserschäden, elektrische Überspannung usw.
- Alle Geräte, die von anderen als den befugten Personen (insbesondere dem Nutzer) auch nur teilweise auseinandergelöst wurden.
- Produkte, deren Seriennummer fehlt, beschädigt oder unleserlich ist, sodass sie nicht identifiziert werden können.
- Produkte, die vermietet, vorgeführt oder ausgestellt werden.

(*) Einige Teile Ihres Geräts, die als Verschleißteile oder Verbrauchsmaterialien bezeichnet werden, verschleiben mit der Zeit und der Häufigkeit der Nutzung Ihres Geräts. Diese Abnutzung ist normal, kann aber durch falsche Nutzung oder Pflege Ihres Geräts noch verstärkt werden. Diese Teile sind daher nicht durch die Garantie abgedeckt. Das mit dem Gerät gelieferte Zubehör ist ebenfalls von der Garantie ausgeschlossen. Sie können daher weder umgetauscht noch erstattet werden. Einige Zubehörteile können jedoch direkt über unsere Website <https://sav.hkoenig.com/> erworben werden.

UMWELT BEACHTUNG:



Entsorgen Sie dieses Produkt nicht mit anderen Haushaltsgegenständen. Dieses Produkt muss separat bei bestimmten Stellen entsorgt werden, informieren Sie sich bei lokalen Behörden über die Stellen, wohin das Produkt gebracht werden kann. In der Tat, elektrische und elektronische Produkte beinhalten gefährliche Stoffe, die eine schädliche Auswirkung auf die Umwelt und menschliche Gesundheit haben und recycelt werden müssen. Dieses Symbol, dass elektrische und elektronische Geräte vorsichtig gewählt werden müssen, die Rollcontainer werden mit einem Kreuz markiert.

Adeva SAS / H.Koenig Europe - 8 rue Marc Seguin, 77290 Mitry-Mory, France
www.hkoenig.com - <https://kundenservice.hkoenig.com> - Tél: +33 1 64 67 00 05

NEDERLANDS

Veiligheidsinstructies Veiligheidsinstructies

Bij het gebruik van elektrische apparaten moeten de standaard veiligheidsregels worden opgevolgd, inclusief de volgende:

- Ter bescherming tegen een risico op een elektrische schok niet de mixer en stroomkabel in water of een andere vloeistof plaatsen. Als de stroomkabel beschadigd is, moet het worden vervangen door de fabrikant, een servicemonteur of een gelijkwaardig gekwalificeerd persoon om gevaren te vermijden.
- Toezicht is noodzakelijk bij of door gebruik van kinderen.
- Dit apparaat mag niet worden gebruikt door kinderen. Houd het apparaat en de stroomkabel uit de buurt van kinderen.
- Altijd de stekker uit het stopcontact halen als het apparaat onbeheerd wordt achtergelaten en voor het in elkaar zetten, uit elkaar halen of het schoonmaken.
- Schakel het apparaat uit en haal de stekker uit het stopcontact voor het wisselen van accessoires en als u in de buurt van onderdelen komt die tijdens gebruik bewegen.
- U dient voorzichtig te zijn met de omgang van de scherpe messen, bij het legen van de kan en tijdens het schoonmaken.
- Dit apparaat kan worden gebruikt door personen met verminderde fysieke, zintuiglijke of mentale vermogens of met gebrek aan ervaring of kennis, op voorwaarde dat zij onder toezicht staan of instructies hebben gekregen over het veilige gebruik van het apparaat en dat zij de mogelijke gevaren volledig begrijpen.

- Haal de stekker uit het stopcontact als het apparaat niet in gebruik is, voor het plaatsen of verwijderen van onderdelen en voor het schoonmaken.
- Vermijd het aanraken van bewegende delen. Houd handen, haar, kleding alsook spatels en andere keukengerei weg van de kloppers tijdens gebruik om de risico's op verwondingen en/of schade aan de mixer te verkleinen.
- Gebruik geen apparaten met een beschadigde kabel of stekker of als het apparaat niet goed werkt, gevallen is of op welke manier dan ook beschadigd is. Breng het apparaat naar het dichtstbijzijnde servicemonteur voor onderzoek, reparatie of een mechanische aanpassing.
- Het gebruik van reserveonderdelen die niet zijn aanbevolen of verkocht door de fabrikant, kan leiden tot vuur, elektrische schokken of verwondingen.
- Niet buiten gebruiken. Dit apparaat is alleen voor huishoudelijk gebruik.
- Laat de kabel niet hangen over de rand van een tafel of aanrecht.
- Verwijder de kloppers uit de mixer voor het wassen.
- Dit apparaat mag gebruikt worden door kinderen van minimaal 8 jaar als er toezicht wordt gehouden en ze instructies hebben gehad over hoe ze het apparaat moeten gebruiken en ze de gevaren begrijpen.
- Het schoonmaken en onderhoud mag niet worden uitgevoerd door kinderen tenzij ze 8 jaar of ouder zijn en er toezicht is.
- Houd het apparaat en de stroomkabel uit de buurt van kinderen jonger dan 8 jaar.
- Bij het gebruik van elektrische apparaten moeten altijd de standaard veiligheidsinstructies worden opgevolgd om de kans op vuur, elektrische schokken en/of verwondingen te voorkomen.
- Controleer dat de aangegeven spanning op het typeplaatje overeenkomt met de spanning van uw

spanningsbron. Als dit niet het geval is, neem dan contact op met de dealer en sluit het apparaat niet aan.

- Bewaar deze handleiding voor toekomstig gebruik en geef hem met het apparaat mee aan toekomstige gebruikers.

- Het apparaat is alleen bedoeld voor huishoudelijk en gebruik in huis.

- Uw apparaat is uitsluitend ontworpen voor huishoudelijk gebruik. Het is niet bedoeld voor gebruik in de volgende situaties, die niet onder de garantie vallen:

- in personeelskeukens in winkels, kantoren en andere professionele omgevingen,

- in boerderijherbergen,

- door gasten in hotels, motels en andere residentiële omgevingen,

- in bed & breakfast-omgevingen.

AARDINGSINSTRUCTIES

Dit apparaat moet worden geaard tijdens gebruik om de gebruiker te beschermen tegen een elektrische schok. Het apparaat is voorzien van een 3-aderige kabel en een stekker met randaarde voor een correcte aarding.

VERLENGKABELS

Gebruik alleen 3-aderige verlengkabels met een stekker en aansluitingen met randaarde waar de stekker van het apparaat correct in past. Gebruik alleen verlengkabels met een elektrische rating die niet minder is dan die van het apparaat. Gebruik geen beschadigde verlengkabels. Bekijk de verlengkabel voor gebruik en vervang deze als er schade is. Misbruik de verlengkabel niet en trek niet aan een kabel om deze te ontkoppelen. Houd de kabel uit de buurt van hitte en scherpe randen.

Overzicht van onderdelen

2. NAMEN VAN ONDERDELEN

Hoofdonderdelen en standaard accessoires:			
1	Aandrijfas	9	Steun
2	Schroef	10	Mixkan
3	Voorste afdekking	11	Spatdeksel
4	Aandrijfarm	12	Inlaat
5	Stroomkabel	13a	Haak
6	Instelling gebruik en hoogte	13b	Klopper
7	Hendel voor het optillen of laten zakken van de arm	13c	Garde
8	Aan/uit-knop & LED		

3

Technische data

Model: KM124

Aanbevolen Voltage: 220-240V~, 50/60Hz

Stroom Verbruik: 800W

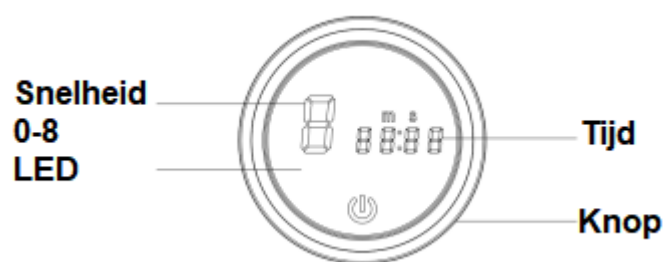
Beschermingsklasse: I

Dit apparaat is getest volgens alle relevante huidige CE-richtlijnen, zoals elektromagnetische compatibiliteit en lagespanning-richtlijnen, en is gebouwd volgens de laatste veiligheidsrichtlijnen.

Onderhevig aan technische veranderingen zonder berichtgeving vooraf!

3. Gebruik van het apparaat

3.1 Snelheidsinstelling Timingdisplay



1. Steek de stekker in het stopcontact en druk op de Aan/uit-knop (8), de snelheid "0" wordt getoond en de tijd toont "00:00".
2. Als de snelheid "0" toont en de gebruiker vergeet het apparaat uit te schakelen, stopt na 5 minuten de LED met branden en gaat het apparaat automatisch naar de stand-by-modus.
3. Draai de knop één keer met de klok mee, de snelheid gaat omhoog met 1 (0-8), draai de knop één keer tegen de klok in en de snelheid zakt met 1 (8-0).

Aftelfunctie:

De aftelfunctie is voor recepten waar de ingrediënten een bepaalde tijd moeten worden gemixt.

7. Om de aftelfunctie in te stellen, draai dan de knop tegen de klok in voor 3 seconden.

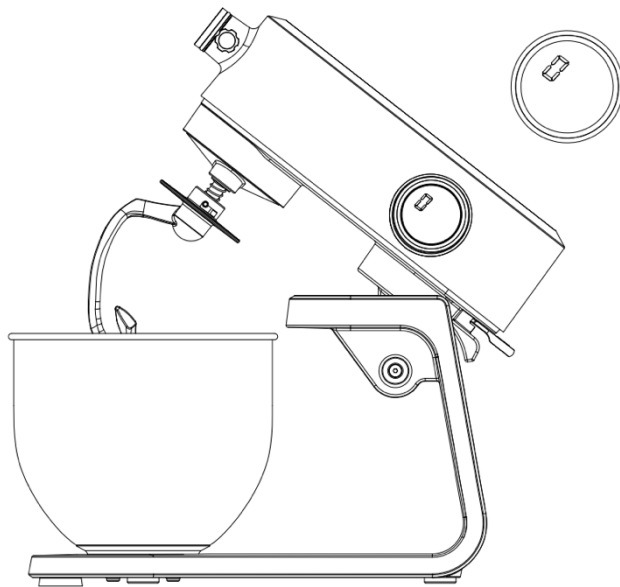
16. De vooraf ingestelde tijd is 2 minuten die als 02:00 wordt getoond op het LED-display.

17. Draai de knop één keer met de klok mee en de tijd wordt verhoogt met 10 seconden, dat is 2 minuten en 10 seconden. Draai de knop

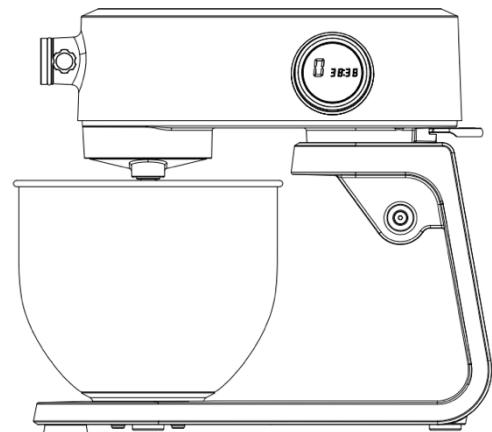
één keer tegen de klok in en de tijd wordt verlaagd naar 1 minuut en 50 seconden.

18. Draai de knop 3 seconden in tegen de klok, de timer en aftelfunctie is ingesteld.

19. Draai de knop met de klok mee om de snelheid te kiezen en het apparaat begint te werken. Hij schakelt automatisch uit als de timer afloopt.



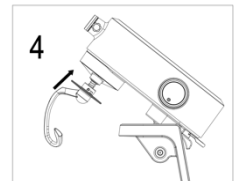
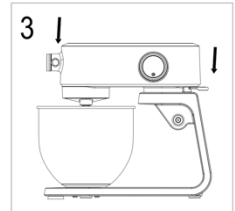
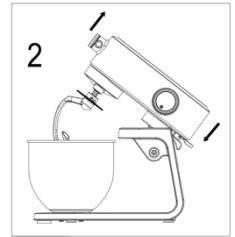
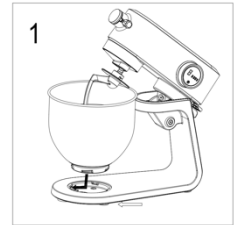
(A)



(B)

4. Gebruik van de mixkan

1. Plaats de mixkan op zijn bevestiging en draai de kan in de richting van LOCK tot deze vastzit. (afbeelding 1)
2. Om de arm op te tillen, druk de hendel (7) naar beneden richting de pijl. De arm gaat nu omhoog. (afbeelding 2)
3. Plaats het benodigde gerei door de bovenkant in de aandrijving te plaatsen en de spie in de as vast te zetten door naar rechts te draaien. (afbeelding 4)
4. Voeg nu de ingrediënten toe. Doe het apparaat niet te vol - de maximale hoeveelheid ingrediënten is 1,5 kilo.
5. Laat de arm zakken met de hendel (7). (afbeelding 3)
6. Sluit het apparaat aan op een goed aangesloten geaard stopcontact van 220-240V~, 50/60Hz.
7. Schakel het apparaat in door de snelheidsknop (6) in te stellen tussen 1 en 8 (afhankelijk van de ingrediënten).



Aanpassen van de hoogte en gebruik van de haak voor niet meer dan 1,5 kilo

Hoogtes	Gebruik	Soort ingrediënten
1-3	Haak	Zware ingrediënten (bijv. deeg)
1-8	haak, klopper	Normale ingrediënten (bijv. pannenkoekbeslag)
	Garde	Lichte ingrediënten (bijv. room, eiwit)

OPMERKING:

- I **Korte gebruikstijd:** Bij zware ingrediënten het apparaat niet langer dan 10 minuten gebruiken. Laat het daarna voor 10 minuten afkoelen.
- I Gebruik de spatdeksel ter bescherming tegen vloeibare ingrediënten.
- Een ei kloppen met de klopper duurt 3 minuten.

8. Zet na het kneden/mixen knop (6) terug op de "0"-stand zodra de ingrediënten een bal vormen. Haal dan de stekker uit het stopcontact.

9. Druk de hendel (7) naar beneden en de arm komt omhoog.

10. De inhoud kan nu met behulp van een spatel verwijderd worden uit de kan.

11. De mixkan kan verwijderd worden door deze naar links te draaien.

12. Maak de onderdelen schoon zoals staat beschreven bij "Schoonmaken".

Receptsuggesties

Cakebeslag (basisrecept), Niveau 3-4

Ingrediënten:

250 gram zachte boter of margarine, 250 gram suiker, 1 zakje vanillesuiker of 1 zakje citroenaroma, 1 snufje zout, 4 eieren, 500 gram tarwebloem, 1 zakje bakpoeder, ongeveer 1/8 liter melk.

Vorbereiding:

Doe de tarwebloem en de andere ingrediënten in de mixkan, mix 30 seconde met de klopper op niveau 1, en vervolgens ongeveer 3 minuten op niveau 3. Vet een vorm in of plaats er bakpapier in. Doe het beslag erin en bak het. Voordat u de cake uit de oven haalt, dient u te kijken of deze gaar is. Prik met een scherpe houten stok in het midden van de cake. Als er niets aan de stok blijft plakken, is de cake gaar. Plaats de cake op een rooster en laat deze afkoelen.

Traditionele oven

Opwarmtemperatuur: 2

Temperatuur: elektrische oven, boven- en onderwarmte 175-200° Celsius; gasoven: stand 2-3

Baktijd: 50-60 minuten

Naar smaak kan dit recept aangepast worden met bijvoorbeeld 100 g rozijnen, 100 g noten of 100 gr geraspte chocolade. De mogelijkheden zijn eindeloos.

Lijnzaadbroodjes, niveau 1-2

Ingrediënten:

500-550g tarwebloem, 50g lijnzaad, 3/8 liter water, 1 kop gist (40g), 100g magere kwark, goed afgegoten,

1 theelepel zout. Voor de afwerking: 2 eetlepels water.

Vorbereiding:

Week de lijnzaad in 1/8 liter lauwwarm water. Doe de rest van het water (1/4 liter) in de mixkan, kruimel het gist erbij, voeg de kwark toe en mix het met een kneedhaak op niveau 2. Het gist moet helemaal opgelost zijn. Doe de bloem met de geweekte lijnzaad en het zout in de mixkan. Kneed het grondig op niveau 1, schakel daarna over op niveau 2 en blijf nog 3-5 minuten kneden. Dek het mengsel af en laat het rijzen op een warme plek gedurende 45-60 minuten. Kneed het nog een keer grondig, haal het uit de kan en maak 16 broodjes. Bedek de bakplaat met nat bakpapier. Plaats de broodjes hierop en laat ze 15 minuten rijzen. Bedek ze met lauwwarm water en bak ze.

Opmerking:

Gebruik het apparaat met de bovenstaande methode niet langer dan 10 minuten en laat het daarna voor 10 minuten afkoelen.

Traditionele oven:

Opwarmtemperatuur: 2

Temperatuur: elektrische oven:- en onderwarmte 200-220° C (5 minuten voorverwarmd), gasoven stand 2-3

Baktijd: 30-40 minuten

Chocoladeroom, niveau 5-6

Ingrediënten:

200ml zoete room, 150g enigszins bittere smeltchocolade, 3 eieren, 50-60g suiker, 1 snuffje zout, 1 zakje vanillesuiker, 1 eetlepel cognac of rum, chocoladevlokken.

Vorbereiding:

Mix de room in de mixkan met de klopper tot het stijf is. Haal het uit de kan en bewaar het op een koele plek. Smelt de smeltchocolade volgens de instructie op de verpakking of in een magnetron bij 200W gedurende 3 minuten. Mix ondertussen de eieren, suiker, vanillesuiker, cognac of rum en zout in de mixkan met de klopper op niveau 3 tot schuim. Voeg de gesmolten chocolade geleidelijk toe op niveau 5-6. Bewaar wat room ter decoratie. Voeg de rest van de room aan het romige mengsel en mix voorzichtig met de pulseerfunctie. Decoreer de chocoladeroom en serveer het goed gekoeld.

Waarschuwing

- Voor het schoonmaken de stekker uit het stopcontact halen.
- Als u bij het apparaat wegloopt, schakel deze dan uit.
- Laat nooit water in de behuizing lopen!
- Gebruik geen scherpe of bijtende schoonmaakmiddelen.

Schoonmaken

- Voor het schoonmaken de stekker uit het stopcontact halen.
- Laat nooit water in de behuizing lopen!
- Gebruik geen scherpe of bijtende schoonmaakmiddelen.
- Na gebruik dienen alle accessoires zo snel mogelijk te worden gewassen, om te vermijden dat ingrediënten zich hechten aan de accessoires en dan moeilijk te verwijderen zijn.
- De kan, deeghaak, klopper, garde, pastamaker dienen in water te worden schoongemaakt met een doek of borstel (Soms helpt het 10 minuten te laten weken, dan gaat het schoonmaken eenvoudiger)
- De vleesvermaler en salademaker dienen te worden schoongespoeld onder de kraan en gebruik een borstel bij het schoonmaken (vooral het mes van de vleesvermaler en de hakker van de salademaker)
- Pas op dat u uw hand niet verwond bij het schoonmaken.

Motorbehuizing

- Alleen een vochtige zachte doek gebruiken bij het schoonmaken van de behuizing.

Mixkan, mixaccessoires

LET OP:

- De onderdelen mogen niet gewassen worden in een vaatwasser. Door blootstelling aan hitte en bijtende

schoonmaakmiddelen kunnen ze van vorm veranderen of verkleuren.

- Onderdelen die in contact zijn gekomen met voedsel kunnen worden schoongemaakt in een sopje.

WAARSCHUWING:

- Gevaar voor verwondingen!
- Laat de onderdelen goed opdrogen voordat u het apparaat weer assembleert.
- Plaats een beetje plantaardige olie op de roosters als deze zijn opgedroogd.

GARANTIE

De garantieperiode op onze producten is 2 jaar, tenzij anders vermeld, beginnend vanaf de datum van de initiële aankoop of bezorgdatum.

Als u problemen of vragen heeft, kunt u eenvoudig onze hulppagina's bezoeken voor tips om problemen op te lossen, de FAQ's en andere gebruikershandleidingen op onze website: <https://sav.hkoenig.com>.

Door de referentiernaam van uw apparaat in de zoekbalk te typen, krijgt u toegang tot alle beschikbare online hulpmiddelen, ontworpen om aan uw behoeften te voldoen.

Als u toch niet geen antwoord op uw vraag kunt vinden, klik dan op "Heeft het antwoord uw probleem opgelost? Hierdoor gaat u naar het Aanvraagformulier voor Klantenondersteuning, dat u in kunt vullen om uw verzoek te valideren en hulp te ontvangen.

GARANTIEVOORWAARDEN

De garantie dekt alle mankementen die voortkomen uit normaal gebruik, volgens de sectie gebruik en specificaties in de gebruikershandleiding.

Deze garantie omvat niet verpakkings- of transportproblemen tijdens het vervoer van het product door de eigenaar. Het omvat ook niet de normale slijtage van het product, noch het onderhoud of vervangen van verbruiksartikelen.

UITSLUITINGEN VAN DE GARANTIE

- Accessoires en verbruiksartikelen (*).
- Normaal onderhoud van het apparaat.
- Alle mankementen veroorzaakt door verkeerd gebruik (schokken, het niet opvolgen van de aanbevolen stroomvoorziening, in slechte omstandigheden gebruiken, etc.), onvoldoende onderhoud of ondeugdelijk gebruik van het apparaat, alsook het gebruik van ongeschikte accessoires.
- Schade van buitenaf: vuur, waterschade, elektrische stroompiek, etc.

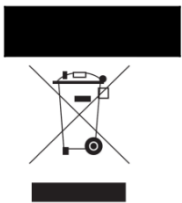
- Apparaten die uit elkaar zijn gehaald, ook gedeeltelijk, door personen die niet er niet gekwalificeerd voor zijn (zoals de gebruiker).
- Producten waarvan het serienummer verdwenen, beschadigd of onleesbaar is, waardoor we het niet kunnen identificeren.
- Producten die verhuurd werden of ter demonstratie of showmodel waren.

(*) Sommige onderdelen van uw apparaat, genaamd verbruiksartikelen, slijten naar verloop van tijd en bij veel gebruik van uw apparaat. Deze slijtage is normaal, maar kan verergerd worden door slechte omstandigheden of onderhoud van uw apparaat. Deze onderdelen worden daarom niet gedekt door de garantie.

De accessoires meegeleverd met het apparaat zijn ook uitgesloten van de garantie. Ze kunnen niet vervangen of gerestitueerd worden. Echter, sommige accessoires zijn te koop via onze website: <https://sav.hkoenig.com/>.

MILIEU

LET OP:



Gooi dit apparaat niet weg als normaal huishoudelijk afval. Er is een scheiding voor afgedankte elektrische apparaten, vraag uw lokale overheid waar u dit apparaat kunt inleveren. Elektrische producten bevatten gevaarlijke stoffen die schadelijk kunnen zijn voor het milieu of mensen en dienen te worden gerecycled. Dit symbool geeft aan dat elektrische apparaten niet bij normaal afval mag, een rolcontainer gemarkeerd met een kruis.

Adeva SAS / H.Koenig Europe - 8 rue Marc Seguin, 77290 Mitry-Mory, France
www.hkoenig.com - <https://en.hkoenig.com> - Tél: +33 1 64 67 00 05

ESPAÑOL

MEDIDAS DE SEGURIDAD

Para utilizar cualquier electrodoméstico, siempre se deben tomar las precauciones básicas de seguridad, dentro de las cuales se incluyen las siguientes:

- Nunca sumerja la batidora planetaria, ni el cable de alimentación en agua u otros líquidos para evitar descargas eléctricas. Si el cable de alimentación está deteriorado, este deberá ser reemplazado por el fabricante, su agente de servicios técnicos o un especialista similar para evitar riesgos potenciales.
- Es necesaria una supervisión estricta cuando cualquier electrodoméstico es utilizado por niños o cerca de ellos.
- Este aparato no debe ser utilizado por niños. Mantenga el aparato y su cable de alimentación fuera del alcance de los niños.
- Desenchufe la batidora si está desatendida, antes de armarla, desmontarla o limpiarla.
- Apague el aparato y desconéctelo del suministro antes de cambiar los accesorios, asegúrese de que las piezas que se mueven estén en estado estacionario.
- Se debe tener especial cuidado al manipular las cuchillas de corte afiladas, vaciar el recipiente y durante la limpieza.
- Este aparato puede ser utilizado por personas con capacidades físicas, sensoriales o mentales reducidas o con falta de experiencia o conocimientos, siempre que sean supervisadas o instruidas en el uso seguro del aparato y que entiendan perfectamente los peligros potenciales.
- Desenchufe del tomacorriente cuando no esté en uso, antes de colocar o quitar piezas y antes de realizar la

limpieza.

- Evite el contacto con las partes móviles. Mantenga las manos, el cabello, la ropa, así como las espátulas y otros utensilios lejos de los batidores durante la operación para reducir el riesgo de lesiones personales y/o daños a la batidora.
- No use este aparato si se ha caído o dañado de alguna manera o si su cable de alimentación o enchufe están dañados. Diríjase al centro de servicios autorizado más cercano para su inspección y mantenimiento, o comuníquese con el distribuidor.
- El uso de accesorios no recomendados o vendidos por el fabricante puede causar incendios, descargas eléctricas o lesiones.
- Esta batidora no es adecuada para usos en exteriores. Este aparato es solo para uso doméstico.
- No permita que el cable de alimentación cuelgue del borde de la mesa o mostrador.
- Retire los batidores antes de lavarlos.
- Este aparato podrá ser utilizada por niños de 8 años en adelante siempre que hayan sido debidamente instruidos en el uso del aparato de forma segura y entienden los peligros involucrados.
- La limpieza y el mantenimiento por parte del usuario no deben ser realizados por niños a menos que tengan más de 8 años de edad y sean supervisados por un adulto.
- Mantenga el aparato y su cable de alimentación fuera del alcance de los niños menores de 8 años.
- Al utilizar equipos eléctricos, siempre se deben tomar precauciones de seguridad para evitar riesgos de incendio, descargas eléctricas y/o lesiones en caso de mal uso.
- Antes de enchufar la batidora al tomacorriente, compruebe que la tensión de su red eléctrica se corresponda con la indicada en la placa de

características de la batidora. Si este no es el caso, no la conecte y póngase en contacto con el distribuidor.

- Guarde este manual para consultas en el futuro y páselo con el equipo a futuros usuarios.
- Este aparato es solo para uso doméstico e interiores.
- Su aparato ha sido diseñado únicamente para uso doméstico. No ha sido diseñado para ser utilizado en las siguientes situaciones que no están cubiertas por la garantía:
 - - en áreas de cocina para el personal en tiendas, oficinas y otros entornos profesionales,
 - - en albergues agrícolas,
 - - en hoteles, moteles y otros entornos residenciales,
 - - en entornos de tipo bed and breakfast.
 -

INSTRUCCIONES PARA PUESTA A TIERRA

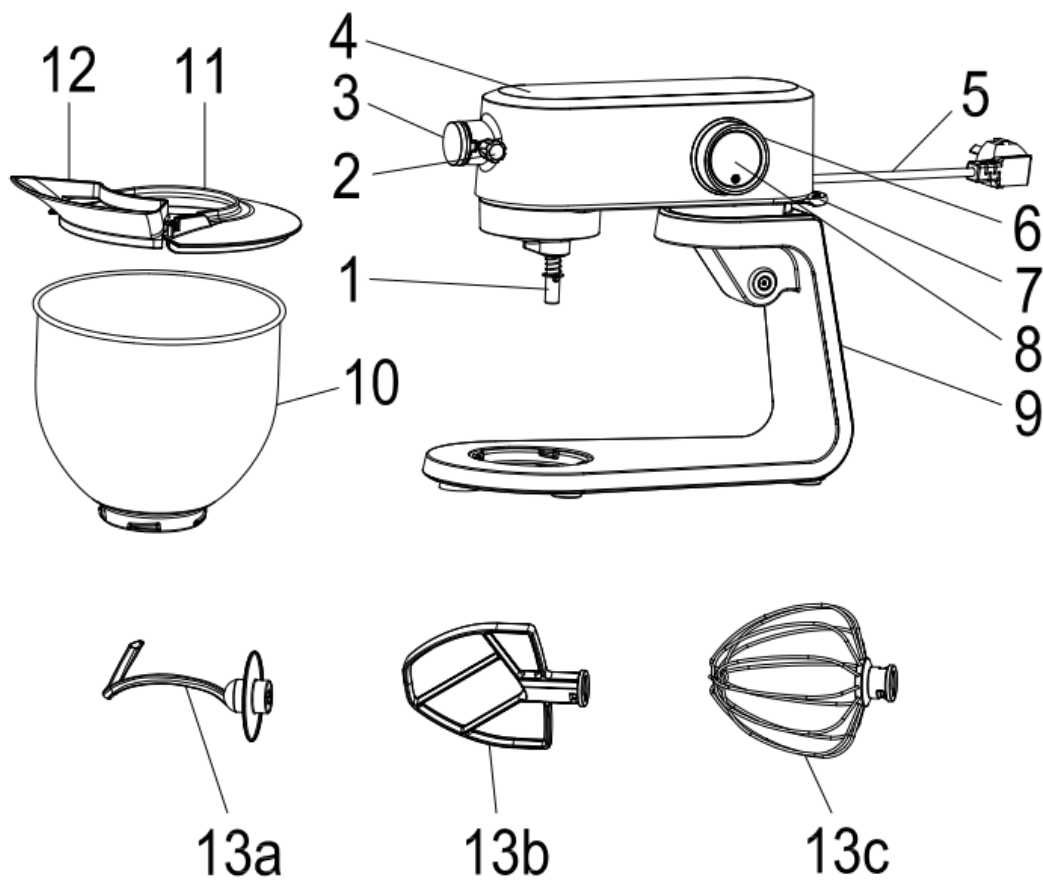
Para protegerse de descargas eléctricas, la batidora debe estar conectada a tierra mientras está en uso. La misma está equipada con un cable de 3 conductores y un enchufe de 3 clavijas con conexión a tierra para que se ajuste adecuadamente al tomacorriente con conexión a tierra.

CABLES DE EXTENSIÓN

Utilice solo cables de extensión de 3 conductores que tengan enchufes de 3 clavijas con conexión a tierra y conectores que acepten el enchufe del aparato. Nunca utilice cables de extensión que tengan una clasificación eléctrica inferior a la clasificación del aparato. No use cables de extensión dañados. Examine el cable de extensión antes de usarlo y reemplácelo si está dañado. No abuse del cable de extensión y no tire de este para desconectarlo. Mantenga el cable alejado del calor y bordes afilados.

DESCRIPCIÓN DE COMPONENTES

Nombres de las partes



Componentes principales y accesorios estándar:

- | | |
|--------------------------------------|--------------------------------|
| 1. Eje de accionamiento | 9. Soporte |
| 2. Tornillo | 10. Tazón para mezclar |
| 3. Cubierta frontal | 11. Cubierta para salpicaduras |
| 4. Brazo motriz | 12. Embudo |
| 5. Cable de alimentación | 13a. Gancho |
| 6. Regulador del nivel de operación | 13b. Batidor |
| 7. Nivel para subir y bajar el brazo | 13c. Mezclador |
| 8. Interruptor LED de encendido | |

DATOS TÉCNICOS

Modelo: KM124

Tensión nominal: 220-240 V ~ 50/60 Hz

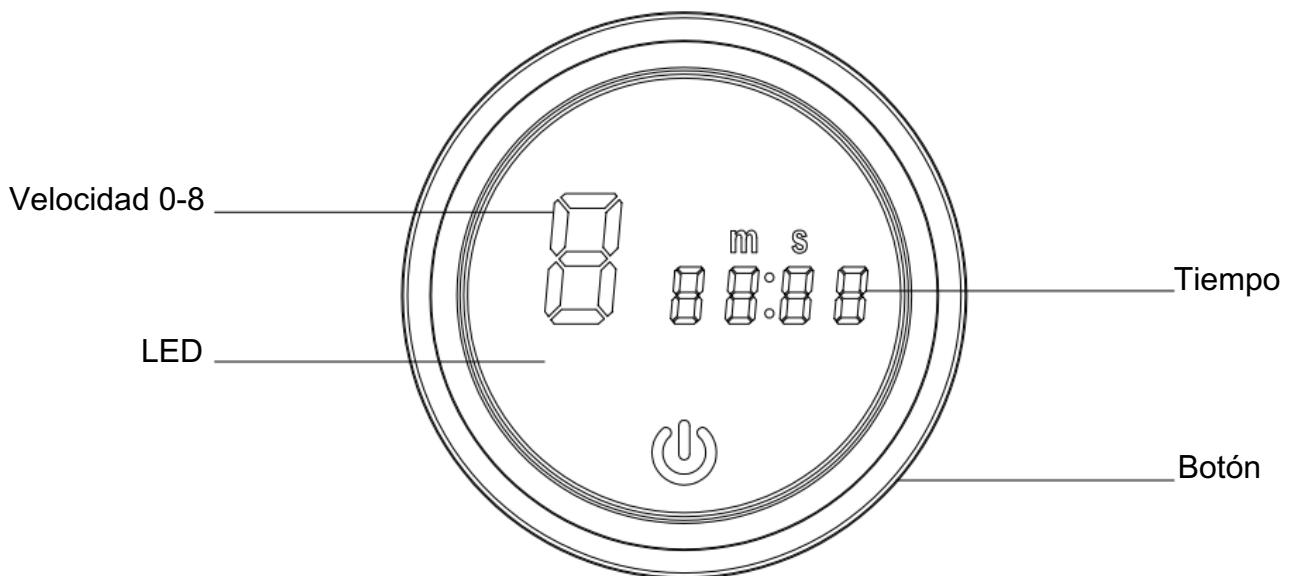
Consumo de energía: 800 W

Clase de protección: I

Este electrodoméstico se ha probado de acuerdo con todas las directrices CE vigentes, como la compatibilidad electromagnética y las directivas de bajo voltaje, y se ha construido de acuerdo con las últimas normas de seguridad. ¡Sujeto a cambios técnicos sin previo aviso!

INSTRUCCIONES DE OPERACIÓN

Pantalla de tiempo y regulador de velocidad



1. Conecte el enchufe al tomacorriente y presione el interruptor LED de encendido (8), podrá ver en la pantalla, velocidad "0" y hora "00:00".
2. Cuando la velocidad muestra "0", si el operador olvida apagar el interruptor de encendido, después de 5 minutos el LED no se mostrará y la batidora volverá al modo de espera automáticamente.
3. Gire el botón una vez en sentido horario y la velocidad aumenta (0-8), gire el botón una vez en sentido antihorario y la velocidad cae (8-0).

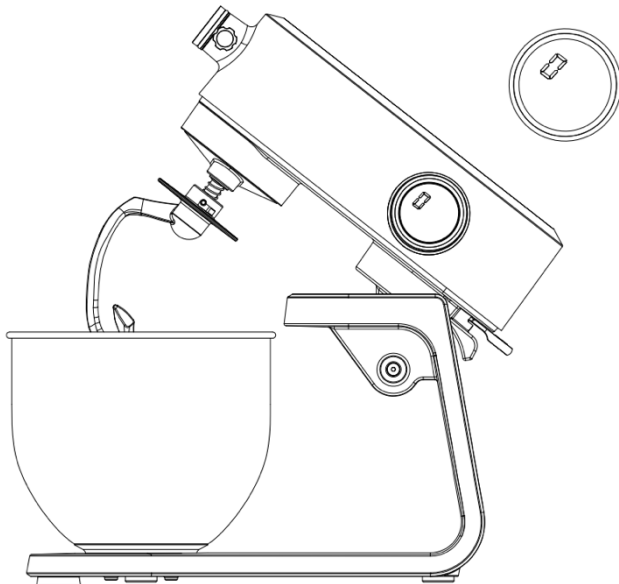
Temporizador:

El temporizador de cuenta regresiva es para cualquier receta que especifique la cantidad de tiempo que se deben mezclar los ingredientes.

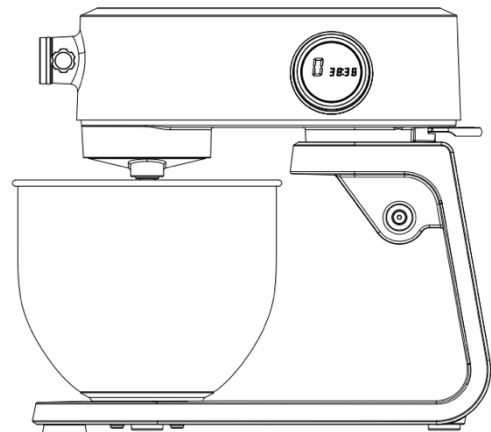
1. Para configurar el tiempo de cuenta regresiva, gire el botón en sentido antihorario durante 3 segundos.
2. El tiempo preestablecido es de 2 minutos y se muestra en la pantalla como 02:00.
3. Gire el botón una vez en sentido horario y el tiempo aumentará 10 segundos, es decir 2 minutos

más 10 segundos. Gire el botón una vez en sentido antihorario y el tiempo disminuirá 10 segundos, es decir, 1 minuto más 50 segundos.

4. Gire el botón en sentido antihorario durante 3 segundos y el temporizador estará fijo y la cuenta regresiva bien configurada.
5. Gire el botón hacia la derecha para seleccionar la velocidad y la batidora comenzará a funcionar. Se apagará automáticamente cuando el temporizador haya terminado la cuenta regresiva.



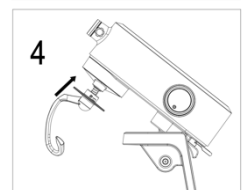
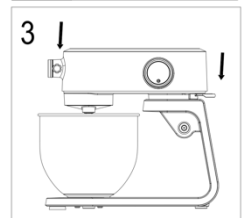
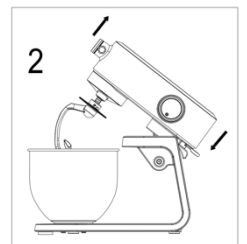
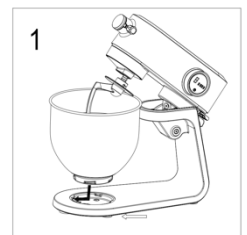
(A)



(B)

Tazón para mezclar:

1. Coloque el tazón en su dispositivo de retención y gire el plato en la dirección de BLOQUEO hasta que encaje en su lugar (imagen 1)
2. Para levantar el brazo motriz, presione la palanca (7) hacia abajo en la dirección de la flecha. El brazo motriz ahora se moverá hacia arriba (imagen 2).
3. Inserte el utensilio requerido en la parte superior del eje de accionamiento. Gire hacia la derecha para bloquear la clavija en el eje (imagen 4).
4. Coloque sus ingredientes sin sobrecargar la batidora: cantidad máxima, 1,5 kg.
5. Baje el brazo motriz usando la palanca (7) (imagen 3).
6. Inserte el enchufe en un tomacorriente de 220-240V ~50/60Hz instalado correctamente.
7. Gire el regulador de nivel de operación (6) a una velocidad entre 1 y 8 según la mezcla correspondiente.



Ajuste de los niveles y uso del gancho para no más de 1.5 kg de mezcla

Niveles	Uso	Tipo de mezcla
1 – 3	Gancho	Mezclas pesadas (por ejemplo, pan o masa quebrada)
1 – 8	Gancho, batidor y mezclador	Mezclas medianas o pesadas (por ejemplo, crepes o mistura esponjosa) Mezclas ligeras (por ejemplo, cremas, claras de huevos o manjar blanco)

NOTA:

- **Tiempo de operación corto:** con mezclas pesadas no opere la batidora por más de 10 minutos. Déjela enfriar por 10 minutos entre una operación y otra.
 - Con mezclas más líquidas, use la cubierta contra salpicaduras para protegerse.
 - Mezclar huevos con el batidor necesita 3 minutos.
8. Después de amasar/agitar, Gire el regulador de nivel de operación (6) nuevamente a la posición "0" tan pronto como la mezcla haya formado una bola. Luego retire el enchufe del tomacorriente.
 9. Presione la palanca (7) hacia abajo y el brazo se levantará.
 10. La mezcla ahora está lista para retirarse del tazón con la ayuda de una espátula.
 11. Quite el tazón para mezclar girándolo hacia la izquierda.
 12. Limpie las piezas como se describe en la sección "Limpieza"

RECETAS SUGERIDAS:

Mezcla de esponja (receta básica), nivel 3-4

Ingredientes:

250 gramos de mantequilla blanda o margarina, 250 gramos de azúcar, 1 paquete de azúcar de vainilla o 1 paquete de Citro-Back, 1 pizca de sal, 4 huevos, 500 gramos de harina de trigo, 1 paquete de levadura en polvo, 1/8 litro de leche aproximadamente.

Preparación:

Coloque los ingredientes en el tazón para mezclar, revuelva con el batidor durante 30 segundos en la velocidad 1, luego durante aproximadamente 3 minutos en la velocidad 3. Engrase una lata o cubra con papel de hornear. Rellene con la mezcla y hornee. Antes de retirar el pastel del horno, pruebe para ver si está listo. Con un palo de madera afilado, perfora el centro del pastel. Si no se le pega la mezcla, el pastel está cocido. Colóquelo en una rejilla para pastel y déjelo enfriar.

Horno tradicional:

Altura de inserción: 2

Calefacción: horno eléctrico, calor superior e inferior 175-200 °C; horno de gas: nivel 2-3

Tiempo de horneado: 50-60 minutos.

Dependiendo del sabor, esta receta se puede cambiar, por ejemplo, con 100 g de pasas o 100 g de nueces o 100 g de chocolate rallado. De hecho, las posibilidades son infinitas.

Panecillos de Linaza, nivel 1-2

Ingredientes:

500-550 g de harina de trigo, 50 g de linaza, 3/8 litros de agua, 1 paquete de levadura (40 g), 100 g de cuajada baja en grasas, bien escurrida, 1 cucharadita de sal. Para la cobertura: 2 cucharadas de agua.

Preparación:

Remoje la linaza en 1/8 litro de agua tibia. Vierta el agua tibia restante (1/4 litro) en el tazón para mezclar, agregue la levadura, la cuajada y mezcle con el gancho en la velocidad 2. La levadura debe estar completamente disuelta. Ponga la harina con la linaza remojada y la sal en el tazón. Amase bien en la velocidad 1, luego cambie a la velocidad 2 y continúe amasando durante 3-5 minutos. Cubra la mezcla y déjela reposar en un lugar cálido durante 45-60 minutos. Luego, amase bien una vez más, retire la masa del tazón y forme dieciséis panecillos. Cubra una bandeja con papel de hornear húmedo. Coloque los panecillos y deje reposar durante 15 minutos. Cubra con agua tibia y hornee.

Nota: Tome cuidado con el tiempo de funcionamiento de la batidora en la receta anterior, si el tiempo de funcionamiento es de más de 10 minutos, déjela enfriar por al menos 10 minutos.

Horno Tradicional:

Altura de inserción: 2

Calefacción: horno eléctrico: calor superior e inferior 200-220 °C (precalentar durante 5 minutos), horno de gas: nivel 2-3.

Tiempo de horneado: 30-40 minutos.

Crema de chocolate, nivel 5-6

Ingredientes:

200 ml de nata dulce, 150 g de cobertura de chocolate semi-amargo, 3 huevos, 50-60 g de azúcar, 1 pizca de sal, 1 paquete de azúcar de vainilla, 1 cucharada de coñac o ron, chispas de chocolate.

Preparación:

Batir la nata en el tazón con el batidor hasta que esté firme. Retirar del recipiente y colocar en un lugar para enfriar. Derrita la cobertura de chocolate de acuerdo con las instrucciones en el paquete o en el microondas a 200 W durante 3 min. Mientras tanto, bata los huevos, el azúcar, el azúcar de vainilla, el coñac o el ron y la sal en el tazón con el batidor en la velocidad 3 para formar una espuma. Agregue el chocolate derretido y revuelva uniformemente en la velocidad 5-6. Reserve un poco de esa crema para la decoración. Agregue el resto a la nata y revuelva brevemente con la función de pulso. Decore con la crema de chocolate y sirva bien fría.

Advertencia:

- Antes de limpiar su batidora, retire el cable de alimentación del tomacorriente.
- ¡Nunca sumerja el motor en agua!
- No use detergentes fuertes o abrasivos.

LIMPIEZA

- Antes de limpiar la batidora, retire el cable de alimentación del tomacorriente.
- Nunca sumerja la carcasa con el motor en agua u otro líquido.
- No use detergentes fuertes o abrasivos.
- Limpie todos los accesorios inmediatamente después del uso para evitar que los ingredientes se adhieran a los accesorios durante mucho tiempo y sean difíciles de limpiar.
- El tazón, el gancho, el batidor y el mezclador se deben poner en agua y limpiar con una esponja de cocina o un cepillo (sumerja en agua durante 10 minutos primero, será más fácil de limpiar).
- La picadora de carne y la máquina para ensaladas deben enjuagarse bien en el grifo y usar un cepillo para lavar (especialmente la bandeja de alimentos y las cuchillas de carne y ensaladas)
- Tome cuidado de que sus manos se lastimen al limpiar.

Carcasa del motor: Use únicamente un paño húmedo para limpiar el exterior de la carcasa.

Tazón y equipo de mezcla

PRECAUCIÓN:

- Estos componentes no son adecuados para la limpieza en lavavajillas. Si se expone al calor o a los limpiadores cáustico pueden deformarse o decolorarse.
- Los componentes que han entrado en contacto con los alimentos se pueden limpiar con agua jabonosa.

ADVERTENCIA: ¡Peligro de lesiones!

- Deje que las partes se sequen completamente antes de volver a armar su batidora.
- Aplique una pequeña cantidad de aceite vegetal a las pantallas después de que se hayan secado.

GARANTÍA

El periodo de garantía de nuestros productos es de 2 años, salvo que la ley estipule lo contrario, a partir de la fecha de la compra inicial o de la fecha de entrega.

Si tiene algún problema o pregunta, puede acceder fácilmente a nuestras páginas de ayuda, consejos para solucionar problemas, preguntas frecuentes y manuales de usuario en nuestro sitio de servicio: <https://sav.hkoenig.com>.

Al escribir el nombre de referencia de su dispositivo en la barra de búsqueda, puede acceder a toda la asistencia en línea disponible, diseñada para satisfacer mejor sus necesidades.

Si sigue sin encontrar una respuesta a su pregunta o problema, haga clic en "¿La respuesta ha resuelto su problema? Esto le llevará al formulario de solicitud de asistencia posventa, que puede rellenar para validar su solicitud y obtener ayuda.

CONDICIONES DE GARANTÍA

La garantía cubre todos los fallos que se produzcan en el contexto de un uso normal, de acuerdo con los usos y especificaciones del manual de usuario.

Esta garantía no se aplica a los problemas de embalaje o transporte durante el envío del producto por parte del propietario. Tampoco incluye el desgaste normal del producto, ni el mantenimiento o la sustitución de piezas consumibles.

EXCLUSIÓN DE GARANTÍA

- Accesorios y piezas de desgaste (*).
- Mantenimiento normal del aparato.
- Todas las averías derivadas de un uso incorrecto (golpes, incumplimiento de las recomendaciones de alimentación eléctrica, malas condiciones de uso, etc.), de un mantenimiento insuficiente o de un mal uso del aparato, así como del uso de accesorios inadecuados.
- Daños de origen externo: incendio, daños por agua, sobrecarga eléctrica, etc.
- Cualquier equipo que haya sido desmontado, incluso parcialmente, por personas que no estén autorizadas a hacerlo (en particular el usuario).
- Productos cuyo número de serie falte, esté dañado o sea ilegible, lo que no permitiría su identificación.
- Productos sujetos a alquiler, demostración o exposición.

(*) Algunas piezas de su aparato, conocidas como piezas de desgaste o consumibles, se deterioran con el tiempo y la frecuencia de uso de su aparato. Este desgaste es normal, pero puede acentuarse por las malas condiciones de uso o de mantenimiento de su aparato. Por lo tanto, estas piezas no están cubiertas por la garantía.

Los accesorios suministrados con el aparato también están excluidos de la garantía. No se pueden cambiar ni reembolsar. No obstante, algunos accesorios pueden adquirirse directamente en nuestro sitio web: <https://sav.hkoenig.com/>

ELIMINACIÓN CORRECTA DEL APARATO



Los dispositivos eléctricos y electrónicos no pueden ser descartado junto con los desechos domésticos. La ley obliga a los consumidores a devolver los dispositivos eléctricos y electrónicos al final de su vida útil a los puntos de recogida públicos establecidos para este propósito o punto de venta. Los detalles de esto están definidos por la ley nacional del país respectivo. Este símbolo en el aparato, el manual de instrucciones o el paquete indica que el aparato está sujeto a estas regulaciones. Al reciclar, reutilizar los materiales u otras formas de usar dispositivos antiguos, está haciendo una contribución importante para proteger nuestro medio ambiente.

Adeva SAS / H.Koenig Europe - 8 rue Marc Seguin, 77290 Mitry-Mory, France
www.hkoenig.com - <https://sav.hkoenig.com> - Tél: +33 1 64 67 00 05

ITALIANO

Istruzioni di sicurezza

Quando si utilizzano apparecchi elettrici, dovrebbero essere sempre seguite delle precauzioni di sicurezza di base tra cui le seguenti:

- Per proteggersi dal rischio di scosse elettriche non immergere l'apparecchio e il cavo di alimentazione in acqua o altro liquido. Se il cavo di alimentazione è danneggiato, deve essere sostituito dal produttore, da un suo agente servizio o da una persona qualificata al fine di evitare pericoli.
- Occorre una stretta sorveglianza quando un qualsiasi apparecchio viene utilizzato in presenza di bambini.
- Questo apparecchio non deve essere utilizzato da bambini. Mantenere l'apparecchio e il cavo fuori dalla portata dei bambini.
- Disconnettere l'apparecchio dalla rete elettrica se viene lasciato incustodito e prima del montaggio, lo smontaggio e la pulizia.
- Scollegare l'apparecchio dalla spina della presa di corrente prima di cambiare gli accessori o di avvicinarsi alle parti che si muovono.
- Prestare molta attenzione quando si maneggiano le lame taglienti, quando si svuota il contenitore e durante la pulizia.
- Questo apparecchio può essere usato da persone con ridotte capacità fisiche, sensoriali o mentali o con mancanza di esperienza o conoscenza, a condizione che siano sorvegliate o istruite sull'uso sicuro dell'apparecchio e che comprendano pienamente i potenziali pericoli.
- Scollegare dalla presa quando non in uso, prima di montare o smontare parti, e prima della pulizia.
- Evitare contatto con le parti in movimento. Tenere mani, capelli, indumenti, così come spatole e altri utensili lontani

durante il funzionamento per ridurre il rischio di lesioni a persone e/o danni al mixer.

- Non utilizzare la macchina con un cavo o spina danneggiati, dopo cattivo funzionamento o se l'apparecchio è caduto o si è danneggiato in un qualsiasi modo. Consegnare al più vicino centro di assistenza autorizzato per la verifica, riparazione o regolazione elettrica o meccanica.
- L'uso di accessori non raccomandati o venduti dal produttore può provocare incendi, scosse elettriche o lesioni.
- Non utilizzare all'aperto. Questo prodotto è solo per uso domestico.
- Evitare che il cavo penda dal tavolo o dal banco da lavoro.
- Rimuovere le fruste dal mixer prima del lavaggio.
- Questo apparecchio può essere utilizzato da bambini di almeno 8 anni di età, purché siano controllati e gli siano state date istruzioni su come usare l'apparecchio in modo sicuro e sono pienamente consapevoli dei pericoli.
- La pulizia e manutenzione non devono essere eseguite da bambini a meno che non abbiano almeno 8 anni di età e sono sorvegliati da un adulto.
- Mantenere l'apparecchio e il cavo di alimentazione fuori dalla portata dei bambini sotto gli 8 anni di età.
- Quando si utilizzano apparecchiature elettriche, devono sempre essere prese delle misure di sicurezza per prevenire il rischio di incendi, scosse elettriche e/o lesioni in caso di uso improprio.
- Assicurarsi che la tensione sulla targhetta corrisponda al voltaggio del vostro impianto. Se così non fosse, contattare il rivenditore e non collegare l'unità.
- Conservare il manuale CE per eventuali riferimenti futuri e consegnarlo insieme all'apparecchio ad eventuali futuri utenti.

- L'apparecchio è da utilizzarsi solo per uso domestico ed interno.
- Il vostro apparecchio è stato progettato esclusivamente per un uso domestico. Non è destinato all'uso nelle seguenti situazioni che non sono coperte dalla garanzia:
 - in cucine per il personale in negozi, uffici e altri ambienti professionali,
 - in ostelli agricoli,
 - da ospiti in hotel, motel e altri ambienti residenziali,
 - in ambienti tipo bed and breakfast.

ISTRUZIONI PER MESSA A TERRA

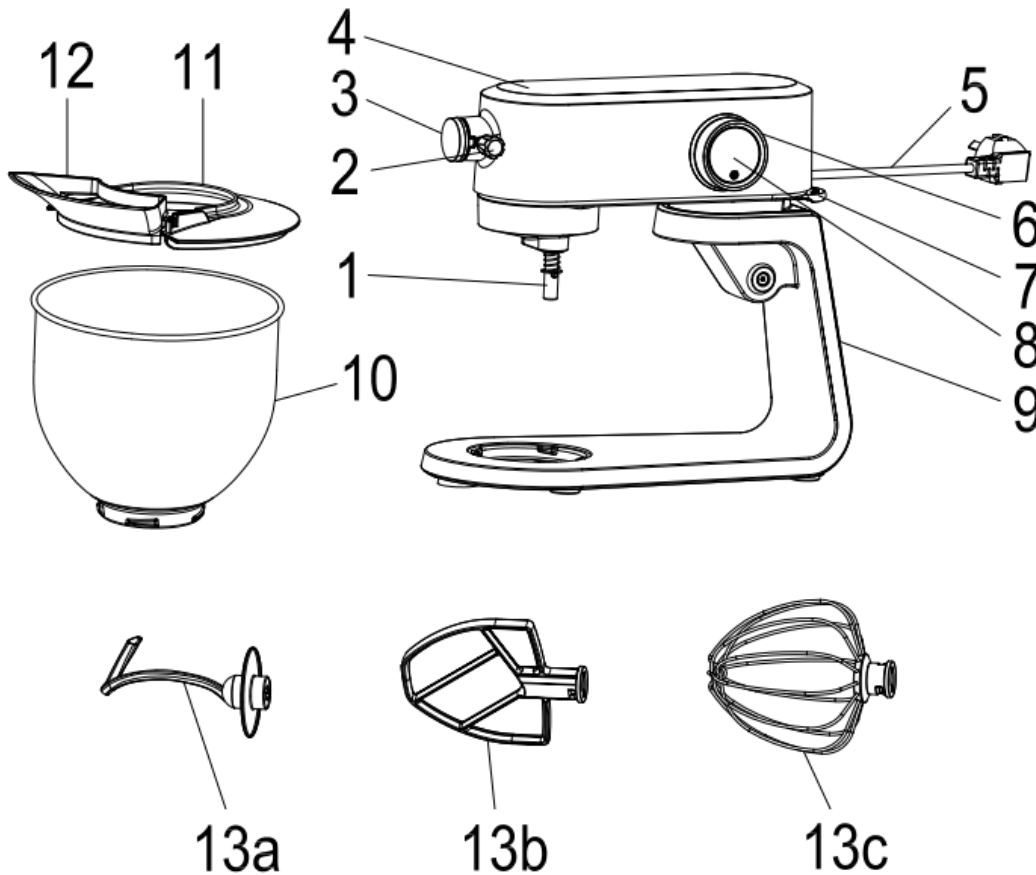
Questo apparecchio deve avere massa a terra durante l'uso per proteggere l'utilizzatore da scosse elettriche. L'apparecchio è dotato di un cavo a 3 fili e a 3 poli con messa a terra per adattarsi alla corretta presa con messa a terra.

PROLUNGHE

Utilizzare solo prolunghe a 3 conduttori aventi 3 poli con spine e connettori del cavo a 3 poli che accettano la spina dall'apparecchio. Utilizzare solo prolunghe aventi una potenza elettrica non inferiore a quella necessaria per l'apparecchio. Non utilizzare prolunghe danneggiate. Esaminare la prolunga prima dell'uso e sostituirla se danneggiata. Non sottoporre la prolunga ad eccessive sollecitazioni e no tirare il cavo per scollegarla. Tenere il cavo lontano dal calore e spigoli vivi.

Panoramica dei Componenti

NOMI DELLE PARTI



Componenti principali e accessori standard:

1	Albero Motore	9	Supporto
2	Vite	10	Ciotola
3	Copertura frontale	11	Paraschizzi
4	Braccio di azionamento	12	Imbuto
5	Cavo di alimentazione	13a	Gancio per impastare
6	Regolatore Funzionamento e Leva	13b	Battitore
7	Leva per alzare ed abbassare il braccio	13c	Frusta
8	Pulsante Accensione & LED		

3, Dati tecnici

Modello: KM124

Tensione nominale: 220-240V ~, 50 / 60Hz

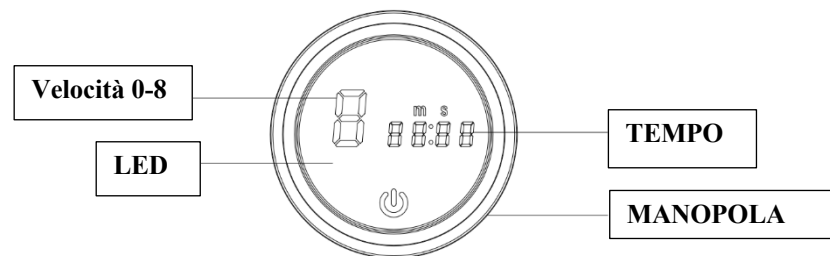
Potenza assorbita: 800W

Classe di protezione: I

Questo dispositivo è stato testato secondo tutte le direttive CE attuali, come la compatibilità elettromagnetica e la direttiva bassa tensione, ed è stato costruito secondo le più recenti normative di sicurezza. Con riserva di modifiche tecniche senza preavviso!

USO

Display regolatore velocità e tempo



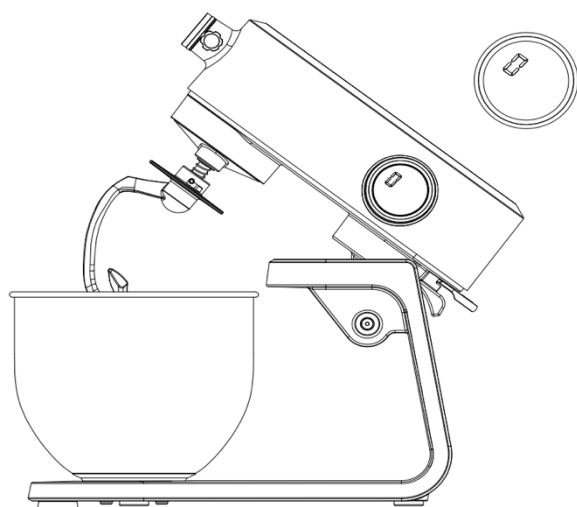
- 1 Con la spina collegata alla rete elettrica e premere l'interruttore di alimentazione (8), la rā velocità indicherà "0" e il tempo "00:00" .
- 2 Quando la velocità è su "0", se il ci si dimentica di spegnere l'interruttore di alimentazione, dopo 5 minuti il LED si spegnerà l'apparecchio andrà automaticamente in modalità standby.
- 3 Girare una volta la manopola, la velocità aumenta di 1 (0-8), di fronte ruotare la manopola in senso antiorario, la velocità scende di 1 (8-0).

Funzione conto alla rovescia

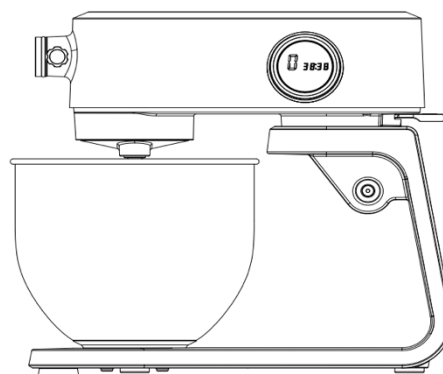
Il timer conto alla rovescia è utile per qualsiasi ricetta che specifica la lunghezza del tempo di miscelazione degli ingredienti.

Per impostare il conto alla rovescia, ruotare la manopola in senso antiorario per 3 secondi.

2. Il tempo preimpostato è di 2 minuti e la dicitura 02:00 viene visualizzata sullo schermo a LED.
3. Ruotare la manopola in senso orario una volta, aumenta il tempo di 10 secondi, che diventa di 2 minuti, più 10 secondi. Ruotare la manopola in senso antiorario una volta, il tempo diminuisce di 10 secondi, che diventa di 1 minuto e 50 secondi.
4. Ruotare la manopola in senso antiorario per 3 secondi, per fissare l'impostazione.
5. Ruotare la manopola in senso orario per selezionare la velocità e la macchina inizierà a lavorare. Essa si spegne automaticamente quando il timer ha terminato il conto alla rovescia.



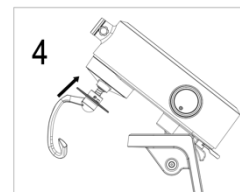
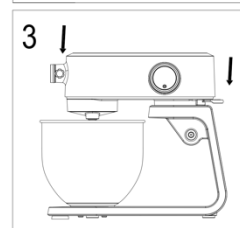
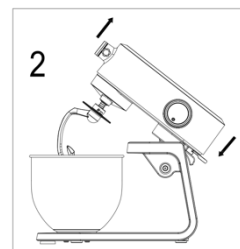
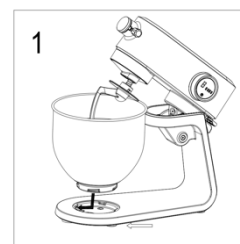
(A)



(B)

Utilizzo dell'la ciotola di miscelazione

1. Posizionare la ciotola nel suo dispositivo di trattenuta e girare il piatto in direzione di blocco fino a bloccarlo in posizione. (foto 1)
2. Per sollevare il braccio di azionamento, premere la leva (7) verso il basso nella direzione della freccia. Il braccio di azionamento si sposterà verso l'alto. (immagine 2)
3. Montare l'utensile richiesto inserendolo e girandolo verso destra per bloccarlo. (foto 4)
4. Versare gli ingredienti. Non riempire troppo la ciotola - la quantità massima di ingredienti è di 1,5 kg.
5. Abbassare il braccio con la leva (7). (foto 3)
6. Inserire la spina in una presa regolarmente installata 220-240V ~, 50 / 60Hz.
7. Avviare l'apparecchio con il regolatore di velocità (6) ad una velocità compresa tra 1 e 8 (a seconda della miscela).



Regolare dei livelli e Usare il gancio per impastare non più di 1,5 kg di miscela

LIVELLO	USO	TIPO DI MISCELA
1-3	Gancio	Impasti pesanti (es. pane e pasta frolla)
1-8	Gancio, Battitore, Frusta	Impasti mediamente pesante (es. crepes, torta margherita) Impasti leggeri (es. crema, albume, budino)

NOTA:

- **Tempo di funzionamento breve:** Con miscele pesanti, non azionare la macchina per più di 10 minuti, e poi lasciarla raffreddare per altri 10 minuti.
- Utilizzare il paraspruzzi per proteggere da miscele liquide.
- Per sbattere le uova con la frusta sono necessari 3 minuti

8. Dopo aver impastato/mixato portare l'interruttore (6) nella posizione "0" non appena la miscela ha formato una palla. Quindi rimuovere la spina.

9. Premere la leva (7) verso il basso e il braccio si solleverà.

10. L'impasto può essere rilasciato con l'aiuto di una spatola e rimosso dalla ciotola.

11. La ciotola può ora essere rimossa ruotando verso sinistra.

12. Pulire le parti come descritto nel paragrafo "Pulizia".

Ricette consigliate

Pan di Spagna (ricetta base), Livello 3-4

Ingredienti:

250 grammi di burro morbido o margarina, 250 grammi di zucchero, 1 bustina di zucchero vanigliato 1 bustina di aroma Citro-Back, 1 pizzico di sale, 4 uova, 500 grammi farina di grano, 1 bustina di lievito in polvere, 125 ml di latte.

Preparazione:

Versare la farina di grano e gli altri ingredienti nella ciotola mescolare, mescolare con l'agitatore per 30 secondi al livello 1, poi per circa 3 minuti al livello 3. Ungere un tegameo coprire con carta da forno. Versare il composto e cuocere in forno. Prima che la torta venga estratta dal forno, verificare che sia cotta nel modo giusto. Con un bastoncino di legno appuntito perforare il centro della torta. Se non vi sono residui di impasto sul bastoncino una volta estratta la torta è cotta. Poggiare la torta su una griglia e lasciare raffreddare.

Forno tradizionale

Altezza inserimento: 2

Cottura: forno elettrico, sopra e sotto a 175-200°C; Forno a gas: livello 2-3

Tempo di cottura: 50-60 minuti

A seconda della propria preferenza, questa ricetta può essere modificata, ad esempio con 100g di uvetta, 100g di nocciole o 100g cioccolato grattugiato. In realtà, le possibilità sono infinite.

Panini ai Semi di lino, livello 1-2

Ingredienti:

Farina di frumento 500-550g, semi di lino 50g, 375 ml d'acqua, 1 cubetto di lievito (40g), 100g di cagliata basso contenuto di grassi, ben drenata, 1 cucchiaino di sale.

Per il rivestimento: 2 cucchiaini d'acqua.

Preparazione:

Immergere il lino in 125ml di acqua tiepida. Trasferire l'acqua tiepida rimanente (259ml) nel recipiente di miscelazione, frantumare in lievito, aggiungere la cagliata e mescolare con il gancio impastatore a livello 2. Il lievito deve essere completamente sciolto. Mettere la farina con il lino bagnato e il sale nella ciotola. Impastare accuratamente al livello 1, quindi passare al livello 2 e continuare ad impastare per 3-5 minuti. Coprire l'impasto e lasciar lievitare in un luogo caldo per 45-60 minuti. Impastare bene ancora una volta, rimuovere dalla ciotola e formare sedici palline. Coprire la teglia con carta da forno bagnata. Posizionare i panini sulla teglia e lasciar lievitare per 15 minuti. Coprire con acqua tiepida e cuocere in forno.

Nota:

Per la ricotta sopra menzionata non azionare la macchina per più di 10 minuti e lasciarla raffreddare per altri 10 min.

Forno tradizionale:

Altezza d'inserimento: 2

Cottura: forno elettrico: sopra e sotto 200-220°C (già caldo per 5 minuti), livello di forno a gas 2-3

Tempo di cottura: 30-40 minuti

Crema al cioccolato, livello 5-6

Ingredienti:

200 ml di crema dolce, 150g preparato per cioccolato amaro, 3 uova, zucchero 50-60g, 1 pizzico di sale, 1 bustina di zucchero vanigliato, 1 cucchiaino di cognac o rum, scaglie di cioccolato.

Preparazione:

Versare la crema nella ciotola mescolare con le fruste a neve. Rimuovere dalla ciotola e lasciare raffreddare. Sciogliere il preparato per cioccolato secondo le istruzioni sulla confezione o nel microonde a 200W per 3 min. Nel frattempo, sbattere le uova, zucchero, zucchero vaniglia, cognac o rum e sale nella ciotola miscelazione con la frusta al livello 3 per formare una schiuma. Aggiungere il cioccolato fuso e mescolare in modo uniforme a livello 5-6. Lasciare un po 'di crema per la decorazione. Aggiungere la panna rimanente alla miscela cremosa e mescolare utilizzando la funzione ad impulsi. Decorare la crema al cioccolato e servite ben raffreddata.

Avvertimento

- Disconnettere la spina dalla corrente prima di effettuare la pulizia
- Quando si lascia l'apparecchio incustodito, si prega di disconnetterlo dalla presa elettrica.
- Non immergere mai il corpo motore in acqua!
- Non utilizzare detergenti abrasivi o corrosivi.

Pulizia

- Disconnettere la spina dalla presa prima della pulizia
- Non immergere mai il corpo motore in acqua!
- Non utilizzare detergenti abrasivi o corrosive.
- Dopo l'utilizzo, tutti gli accessori devono essere puliti il più presto possibile al fine di evitare che gli ingredienti si seccino sugli accessori e diventino difficili da pulire.
- La ciotola, il gancio impastatore, la frusta, lo sbattitore, dovrebbero essere immerse in acqua e puliti con uno strofinaccio o una spazzola (A volte immergerli in acqua per 10 minuti prima, li rende più facili da pulire)
- Il tritacarne e la macchina per insalata devono essere lavati sotto il rubinetto (in particolare il portavivande e la lama tritacarne e la taglierina per insalata).
- Fare attenzione a non tagliarsi durante la pulizia.

Esterno dell'apparecchio

- Utilizzare solo un panno umido per pulire l'esterno della custodia.

Ciotola, accessori di miscelazione

ATTENZIONE:

- I componenti non sono adatti per la pulizia in lavastoviglie. Se esposti al calore o a detergenti aggressive potrebbero deformarsi o scolorirsi.
- I componenti che sono venuti a contatto con gli alimenti possono essere lavati in acqua saponata.

AVVERTIMENTO:

- Pericolo di lesioni!
- Lasciare asciugare le parti completamente prima di rimontare l'apparecchio.
- Si prega di applicare una piccola quantità di olio vegetale a mo di protezione dopo che si sono asciugati.

GARANZIA

Il periodo di garanzia per i nostri prodotti è di 2 anni, se non diversamente stabilito dalla legge, a partire dalla data di acquisto iniziale o di consegna.

Se avete problemi o domande, potete facilmente accedere alle nostre pagine di aiuto, consigli per la risoluzione dei problemi, FAQ e manuali d'uso sul nostro sito post-vendita:

<https://sav.hkoenig.com>.

Digitando il nome di riferimento del tuo dispositivo nella barra di ricerca, puoi accedere a tutto il supporto online disponibile, progettato per soddisfare al meglio le tue esigenze.

Se ancora non riesci a trovare una risposta alla tua domanda o al tuo problema, allora clicca su "La risposta ha risolto il tuo problema? Questo vi porterà al modulo di richiesta di supporto post-vendita, che potete completare per convalidare la vostra richiesta e ottenere aiuto.

CONDIZIONI DI GARANZIA

La garanzia copre tutti i guasti derivanti da un uso normale, in conformità con gli usi e le specifiche del manuale utente.

Questa garanzia non si applica a problemi di imballaggio o di trasporto durante la spedizione del prodotto da parte del proprietario. Non include inoltre la normale usura del prodotto, né la manutenzione o la sostituzione delle parti di consumo.

ESCLUSIONE DELLA GARANZIA

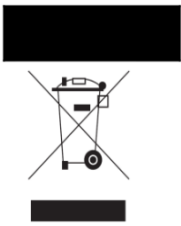
- Accessori e parti soggette a usura (*).
- Normale manutenzione dell'apparecchio.

- Tutti i guasti derivanti da un uso improprio (urti, mancato rispetto delle raccomandazioni sull'alimentazione, cattive condizioni d'uso, ecc.), da una manutenzione inadeguata o da un uso improprio dell'apparecchio, nonché dall'uso di accessori inadeguati.
- Danni di origine esterna: incendio, danni d'acqua, sovratensione elettrica, ecc.
- Qualsiasi attrezzatura che sia stata smontata, anche parzialmente, da persone diverse da quelle autorizzate a farlo (in particolare l'utente).
- Prodotti per i quali il numero di serie è mancante, danneggiato o illeggibile, il che non permetterebbe la sua identificazione.
- Prodotti soggetti a noleggio, dimostrazione o esposizione.

(*) Alcune parti del suo apparecchio, note come parti soggette a usura o materiali di consumo, si deteriorano con il tempo e la frequenza d'uso del suo apparecchio. Questa usura è normale, ma può essere accentuata da cattive condizioni d'uso o di manutenzione del vostro apparecchio. Queste parti non sono quindi coperte dalla garanzia.

Anche gli accessori forniti con l'apparecchio sono esclusi dalla garanzia. Non possono essere scambiati o rimborsati. Tuttavia, alcuni accessori possono essere acquistati direttamente dal nostro sito web: <https://sav.hkoenig.com/>.

ATTENZIONE ALL'AMBIENTE:



Non smaltire questo prodotto con altri prodotti per la casa. È necessario smaltire separatamente questo prodotto di scarto, è necessario informarsi presso le autorità locali circa i luoghi dove si può consegnare questo prodotto. Infatti, i prodotti elettrici ed elettronici contengono sostanze pericolose che hanno effetti nocivi per l'ambiente o la salute umana e dovrebbero essere riciclati. Il simbolo qui accanto, un contenitore per rifiuti ruote è contrassegnato con una croce, indica che le apparecchiature elettriche ed elettroniche dovrebbero essere smaltite con cura,

Adeva SAS / H.Koenig Europe - 8 rue Marc Seguin, 77290 Mitry-Mory, France
www.hkoenig.com - <https://assistenza.hkoenig.com> - Tél: +33 1 64 67 00 05

PORTUGUES

INSTRUÇÕES DE SEGURANÇA

- Quando utilizar eletrodomésticos (aparelhos elétricos), devem ser sempre seguidas as precauções básicas de segurança, incluindo as seguintes:
- Este equipamento pode ser utilizado por pessoas com capacidades físicas, sensoriais ou mentais reduzidas, ou com falta de experiência ou conhecimento, desde que sejam supervisionadas ou instruídas na utilização segura do equipamento e compreendam plenamente os perigos potenciais.
- É necessária uma supervisão rigorosa quando o aparelho é utilizado ou estiver próximo de crianças.
- Este aparelho NÃO deve ser utilizado por crianças.
- Mantenha o aparelho e o cabo fora do alcance das crianças.
- Desligue sempre o aparelho da fonte de alimentação se não estiver a utilizá-lo e antes da montagem, desmontagem ou limpeza.
- Desligue o aparelho no botão e da fonte de alimentação antes de trocar acessórios ou antes de se aproximar das peças que se movimentam em utilização.
- Deve ter muito cuidado quando manusear as lâminas de corte afiadas, esvaziar a taça misturadora e durante a limpeza.
- Os aparelhos podem ser utilizados por pessoas com capacidades físicas, sensoriais ou mentais reduzidas ou com falta de experiência e conhecimento se lhes foi dada supervisão ou instrução no que diz respeito à utilização do

aparelho de forma segura e se compreenderem os riscos envolvidos. As crianças não devem brincar com o aparelho.

- Desligue da tomada elétrica (fonte de alimentação) quando não estiver a utilizar, antes de colocar ou remover peças e antes de limpar.

- Evite tocar em peças que se movem. Mantenha as mãos, cabelos, roupas, bem como espátulas e outros utensílios afastados dos batedores durante a operação para reduzir o risco de ferimentos a pessoas e/ou danos no misturador.

- Não utilize nenhum aparelho com o cabo ou ficha danificados, após o aparelho não funcionar corretamente (avaria ou anomalia) ou ter caído, ou ter-se danificado de alguma forma. Leve o aparelho ao serviço de assistência técnica autorizado mais próximo para ser examinado, reparado ou regulado elétrica ou mecanicamente.

- A utilização de acessórios não recomendados ou vendidos pelo fabricante pode causar incêndio, choque elétrico ou ferimentos.

- Não utilize no exterior. Este produto é apenas para uso doméstico.

- Não deixe o cabo pendurado na orla da mesa ou balcão. Remova os batedores da batedeira antes de lavar.

- Este aparelho pode ser utilizado por crianças com pelo menos 8 anos de idade, desde que supervisionadas e tenham recebido instruções sobre a utilização segura do aparelho e que estejam plenamente conscientes dos perigos envolvidos.

- A limpeza e manutenção não devem ser realizadas por crianças, a menos que tenham pelo menos 8 anos de idade e sejam supervisionadas por um adulto.

- Mantenha o aparelho e o cabo de alimentação fora do alcance de crianças com menos de 8 anos de idade.
- Quando utilizar eletrodomésticos (aparelhos elétricos), devem ser sempre seguidas as precauções básicas de segurança para evitar o risco de incêndio, choque elétrico e/ou ferimentos em caso de utilização indevida.
- Verifique se a voltagem nominal na placa de identificação corresponde à voltagem principal da sua instalação. Se não for este o caso, entre em contato com o revendedor e não ligue a unidade à corrente.
- Guarde este manual para referência futura e entregue-o com o equipamento a qualquer utilizador futuro.
- A máquina é utilizada apenas para uso doméstico e no interior.

O seu aparelho é concebido apenas para uso doméstico. Não se destina a ser utilizado nas seguintes situações, que não estão cobertas pela garantia:

- em cozinhas de pessoal em lojas, escritórios e outros ambientes profissionais,
- em pousadas agrícolas,
- por hóspedes em hotéis, motéis e outros ambientes residenciais,
- em ambientes do tipo cama e pequeno-almoço.

INSTRUÇÕES DE LIGAÇÃO À TERRA

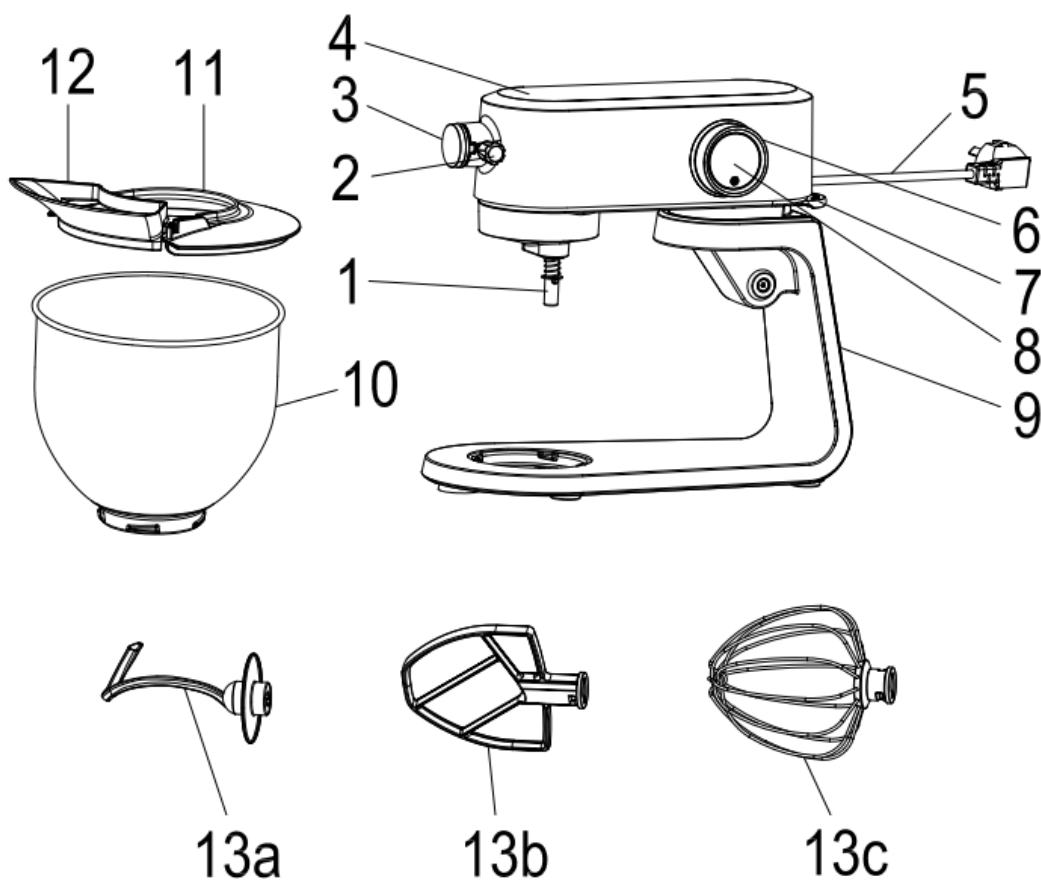
Este aparelho deve estar ligado à terra enquanto estiver em utilização para proteger o utilizador de choques elétricos. O aparelho está equipado com um cabo de 3 condutores e uma ficha de ligação à terra de 3 pinos para encaixar na tomada adequada com ligação à terra.

CABOS DE EXTENSÃO

Utilize apenas cabos de extensão que tenham 3 fios, os quais têm fichas de ligação à terra de 3 pinos e cabos conectores de 3 pólos que aceitem a ficha do aparelho. Utilize apenas cabos de extensão com uma classificação elétrica não inferior à classificação do aparelho. Não utilize cabos de extensão danificados. Examine o cabo de extensão antes de o utilizar e substitua-o se estiver danificado. Não faça uma má utilização do cabo de extensão e não puxe qualquer cabo quando pretender desligá-lo. Mantenha o cabo afastado do calor e de arestas cortantes.

SÍNTESE DOS COMPONENTES

2 . Descrição das Peças



Componentes Principais e Acessórios Standard:			
1	Eixo de Acionamento	9	Suporte
2	Parafuso	10	Taça Misturadora
3	Tampa Frontal	11	Tampa Anti-Salpicos
4	Braço acionador	12	Funil
5	Cabo de alimentação	13a	Vara
6	Regulador de Velocidade e Nível	13b	Batedor
7	Alavanca para Levantar e Baixar o braço acionador	13c	Batedor multi-varas
8	Interruptor de Alimentação & LED		

Informações Técnicas

Modelo: KM124

Voltagem nominal: 220-240V~, 50/60Hz

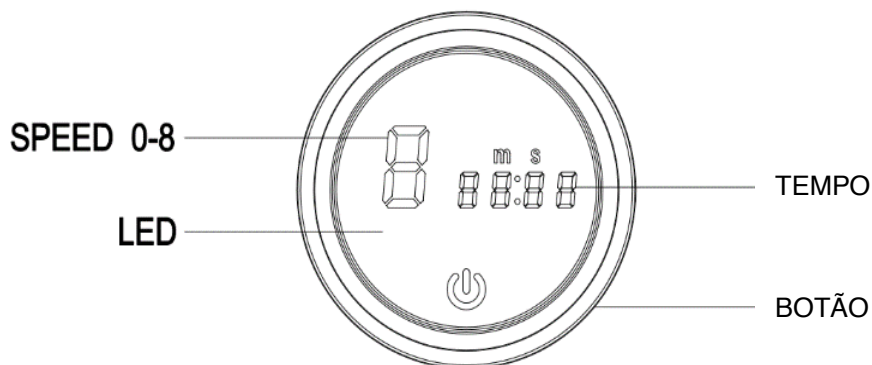
Consumo de energia: 800W

Classe de Proteção: I

Este aparelho foi testado de acordo com todas as diretrizes atuais relevantes da CE, como compatibilidade eletromagnética e diretivas de baixa tensão, e foi fabricado de acordo com as mais recentes normas de segurança. Sujeito a alterações técnicas sem aviso prévio!

COLOCAÇÃO DO APARELHO EM FUNCIONAMENTO

Regulador de Velocidade e Mostrador de Tempo



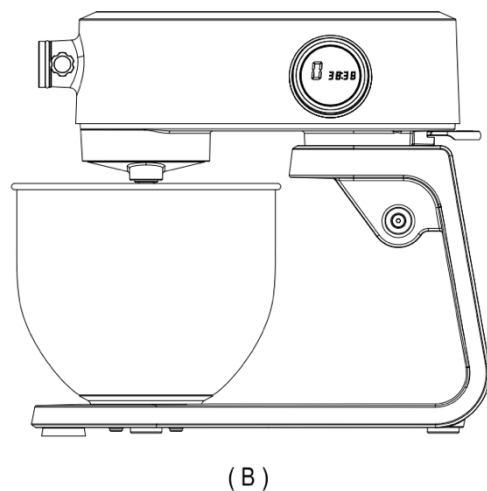
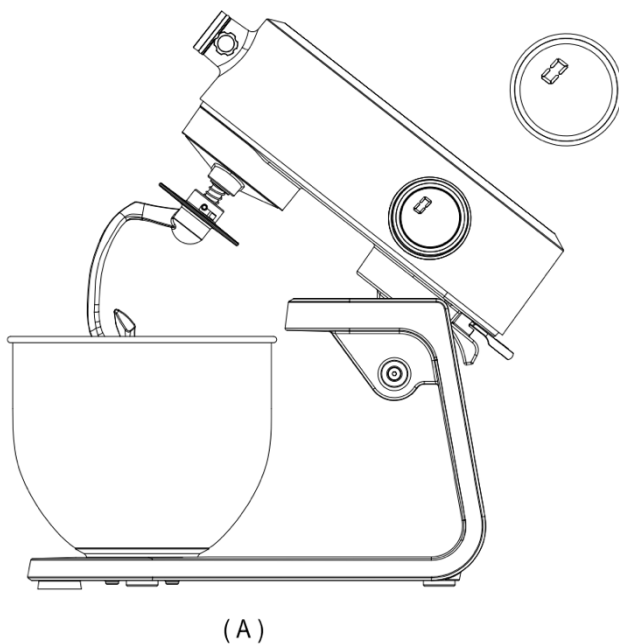
- Com a ficha de corrente elétrica ligada à fonte de alimentação pressione o botão ligar/desligar (Interruptor de Alimentação (8)), o LED mostrará a velocidade "0" e o tempo "00:00".

- Quando a velocidade mostrar "0" durante 5 minutos, se o consumidor se esquecer de desligar o interruptor de alimentação, o LED não será exibido (desliga) e a máquina retornará automaticamente ao modo de espera.
- Rode o botão CW uma vez e a velocidade aumenta 1(0-8), no sentido oposto rode o botão CCW uma vez e a velocidade diminui 1 (8-0).

Função de Contagem regressiva:

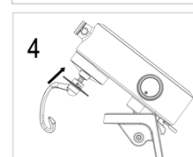
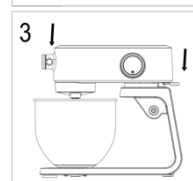
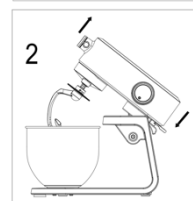
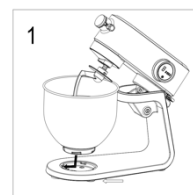
O temporizador de contagem regressiva é para qualquer receita que especifique por quanto tempo os ingredientes devem ser misturados.

- Para definir o tempo de contagem regressiva, rode o botão no sentido anti-horário durante 3 segundos.
- O tempo predefinido é de 2 minutos, conforme é mostrado no ecrã do LED.
- Rode o botão no sentido horário uma vez e o tempo aumenta 10 segundos, ou seja, 2 minutos e 10 segundos. Rode o botão no sentido anti-horário uma vez e o tempo diminui 10 segundos, ou seja, 1 minuto e 50 segundos.
- Rode o botão no sentido anti-horário durante 3 segundos, o temporizador fica fixo e a contagem regressiva fica bem definida.
- Rode o botão no sentido horário para selecionar a velocidade e a máquina começará a funcionar. O aparelho desliga automaticamente quando o temporizador terminar a contagem regressiva.



Utilização da Taça Misturadora

1. Coloque a taça misturadora no dispositivo de fixação e gire o prato na direção de LOCK até ficar fixo no lugar. (figura 1)
2. Para levantar o braço acionador, pressione a alavanca (7) para baixo na direção da seta. Desta forma, o braço acionador mover-se-á para cima. (figura 2)
3. Monte o acessório necessário, inserindo a parte superior no eixo de acionamento (1) e bloqueie o contrapino no eixo, rodando para a direita. (figura 4)
4. Agora encha a cuba misturadora com os seus ingredientes. Não encha demasiado a máquina – a quantidade máxima de ingredientes é de 1,5 kg.
5. Baixe o braço acionador usando a alavanca (7). (figura 3)
6. Insira a ficha de corrente numa tomada elétrica de segurança com 220-240V~, 50/60Hz devidamente instalada.
7. Faça a máquina funcionar utilizando o regulador de velocidade (6), colocando o mesmo numa velocidade entre 1 e 8 (correspondente à preparação).



Regulação dos Níveis e Utilização da Vara em não mais do que 1,5 kg de Mistura

Níveis	Usar	Tipo de Mistura
1-3	vara	Misturas pesadas (por exemplo, pão ou massa de tarte)
1-8	vara, batedor Batedor Multi-varas	Misturas de peso médio (mistura de crepes ou esponjosa) Misturas leves (creme, clara de ovo, manjar-branco)

OBSERVAÇÃO:

- I **Tempo de funcionamento curto:** com misturas pesadas, não opere a máquina por mais de 10 minutos e, em seguida, deixe-a arrefecer durante outros 10 minutos.
- I Utilize a protecção anti-salpicos para proteger contra misturas líquidas.
- Para misturar ovos com o batedor multi-varas são necessários 3 minutos.

8. Depois de amassar/misturar, rode o regulador de velocidade (6) até à posição "0" assim que a mistura formar uma bola. Depois retire a ficha da tomada elétrica.

9. Pressione a alavanca (7) para baixo e o braço levantar-se-á.

10. Agora a mistura pode ser solta com a ajuda de uma espátula e removida da taça de mistura.

11. A taça de mistura pode agora ser retirada rodando para a esquerda.

12. Limpe as peças conforme descrito em "Limpeza".

Receitas Sugeridas

Mistura Esponjosa (Receita Básica), Nível 3-4

Ingredientes:

250 gramas de manteiga ou margarina macia, 250 gramas de açúcar, 1 pacote de açúcar de baunilha ou 1 saco de Citro-Back, 1 pitada de sal, 4 ovos, 500 gramas de farinha de trigo, 1 pacote de fermento em pó, aproximadamente 1/8 litro de leite.

Preparação:

Coloque a farinha de trigo e os restantes ingredientes na taça misturadora, mexa com o misturador durante 30 segundos no nível 1 e depois durante aproximadamente 3 minutos no nível 3. Unte uma forma ou cubra com papel manteiga. Encha a forma com a mistura e leve ao forno. Antes de tirar o bolo do forno, teste para ver se está cozido. Espete um palito de madeira no centro do bolo e retire-o. Se o palito sair sem mistura agarrada, o bolo está cozido. Desenforme o bolo para uma travessa/base de bolos e deixe-o arrefecer

Forno Tradicional

Inserção Máxima: 2

Aquecimento: forno elétrico, aquecimento superior e inferior 175-200° Celsius; forno a gás: nível 2-3

Tempo de cozedura: 50-60 minutos

Dependendo do sabor, esta receita pode ser alterada, por exemplo, com 100 gr de passas, 100 gr de nozes ou 100 gr de chocolate ralado. De fato, as possibilidades são infinitas.

Pãezinhos de Linhaça, Nível 1-2

Ingredientes:

500-550 gr de farinha de trigo, 50 gr de linhaça, 3/8 litros de água, 1 cubo de fermento (40 gr), 100 gr de coalhada com baixo teor de gordura, bem escoado, 1 colher de chá de sal. Para a cobertura: 2 colheres de chá de água.

Preparação:

Absorva a linhaça em 1/8 litro de água morna. Coloque a água morna restante (1/4 litro) na taça misturadora, esmigalhe o fermento, adicione a coalhada e misture com a vara de amassar no nível 2. O fermento deve ficar completamente dissolvido. Coloque a farinha de trigo com a linhaça embebida e o sal na taça misturadora. Misture/Amasse tudo muito bem no nível 1, depois mude para o nível 2 e continue a amassar durante 3 a 5 minutos. Cubra a mistura e deixe levedar/crescer num lugar quente durante 45 a 60 minutos. Misture/Amasse bem mais uma vez, retire da taça e forme dezasseis rolos. Cubra a forma com papel manteiga. Coloque os rolos na forma e deixe levedar/crescer durante 15 minutos. Coloque a cobertura, ou seja, as 2 colheres de chá de água morna e leve ao forno.

Nota:

A fórmula acima não opera a máquina por mais de 10 minutos e, em seguida, deixe-a arrefecer durante outros 10 minutos.

Forno Tradicional:

Inserção Máxima: 2

Aquecimento: forno elétrico: aquecimento superior e inferior de 200-220°C (pré-aquecido durante 5 minutos); forno a gás: nível 2-3

Tempo de cozedura: 30-40 minutos

Creme de Chocolate, Nível 5-6

Ingredientes:

200 ml de creme doce, 150 gr de cobertura de chocolate semi-amargo, 3 ovos, 50-60 gr de açúcar, 1 pitada de sal, 1 pacote de açúcar de baunilha, 1 colher de sopa de conhaque ou rum, flocos de chocolate.

Preparação:

Bata o creme na taça misturadora com o batedor multi-varas até ficar firme. Retire da taça misturadora e coloque em um local para arrefecer. Derreta a cobertura de chocolate de acordo com as instruções da embalagem ou no micro-ondas a 200W durante 3 minutos. Entretanto, bata os ovos, o açúcar, o açúcar de baunilha, conhaque ou rum e o sal na taça misturadora com o batedor multi-varas no nível 3 para formar uma espuma. Adicione o chocolate derretido e misture uniformemente no nível 5-6. Deixe um pouco de creme para fazer a decoração. Adicione o creme restante à mistura cremosa e mexa rapidamente usando a função de pulso. Decore o creme de chocolate e sirva bem fresco.

Atenção/Aviso

- Antes de limpar, remova o cabo de alimentação da tomada.
- Quando a máquina não estiver em funcionamento, por favor, corte a corrente da máquina.
- Nunca submerja a estrutura com o motor na água!
- Não utilize detergentes agressivos ou abrasivos.

LIMPEZA

- Antes de limpar, remova o cabo de alimentação da tomada.
- Nunca submerja a estrutura com o motor na água!
- Não utilize detergentes agressivos ou abrasivos.
- Após a utilização, todos os acessórios devem ser limpos o mais rápido possível, com o objetivo de evitar que os ingredientes sequem nos acessórios durante muito tempo e dificulte a sua limpeza.

- A taça misturadora, a vara de amassar, o batedor, o batedor multi-varas e a máquina de fazer massa devem ser colocados em água e limpos com um pano de cozinha ou escova (Às vezes, pode mergulhar em água durante 10 minutos, será mais fácil de limpar).
- O moedor de carne e a máquina de fazer salada devem ser lavados debaixo da torneira e deve utilizar uma escova para lavar (especialmente a travessa dos alimentos, a lâmina e os acessórios do moedor de carne e o cortador da máquina de fazer salada)
- Tenha cuidado para não ferir as mãos durante a limpeza.

Estrutura do Motor

Apenas um pano húmido de lavagem deve ser utilizado para limpar a parte externa da estrutura.

Batedeira, Equipamento de Mistura

CUIDADO:

- Os componentes não são adequados para serem limpos numa máquina de lavar louça. Se forem expostos ao calor ou a produtos de limpeza cáusticos, podem ficar deformados ou descoloridos.
- Os componentes que entraram em contato com os alimentos podem ser limpos com água e sabão.

ATENÇÃO/AVISO:

- Perigo de ferimentos!
- Deixe as peças secarem completamente antes de remontar o aparelho.
- Por favor, aplique uma pequena quantidade de óleo vegetal nos ecrãs após estarem secos.

MEIO AMBIENTE

CUIDADO:



Não elimine este aparelho como acontece com outros produtos domésticos. Existe uma separação deste produto residual nas comunidades, você deve informar-se com as autoridades locais sobre onde pode deixar/colocar este produto. De fato, os produtos elétricos e eletrônicos contêm substâncias perigosas que têm efeitos nocivos no meio ambiente ou na saúde humana e devem ser reciclados.

O símbolo aqui indicado significa que os equipamentos elétricos e eletrônicos devem ser escolhidos cuidadosamente; um recipiente de resíduos com rodas é marcado com uma cruz.

Adeva SAS / H.Koenig Europe - 8 rue Marc Seguin, 77290 Mitry-Mory, France
www.hkoenig.com - <https://en.hkoenig.com> - Tél: +33 1 64 67 00 05



FR

Cet appareil se recycle

À DÉPOSER EN MAGASIN  OU  À DÉPOSER EN DÉCHÈTERIE

Points de collecte sur www.quefairede mesdechets.fr
Privilégiez la réparation ou le don de votre appareil !