



Beam

smart ultrasonic humidifier

user manual | gebruikershandleiding | manuel d'utilisation
manual de usuario | Bedienungsanleitung



duux®

Thank you for choosing Duux.

We're so glad you decided to read the instructions to your new Duux ultrasonic humidifier! Many users casually dismiss instructions and seek to figure it out on their own. But studies show that people who read instructions will get up to speed more quickly and efficiently than those who poke around with trial and error.

At Duux we believe in the importance of a comfortable and healthy living environment. Enhancing your wellbeing by designing appealing, functional and effective products is the passion that drives us every day. With our range of innovative air treatment products we aim to provide you the best possible indoor air quality.

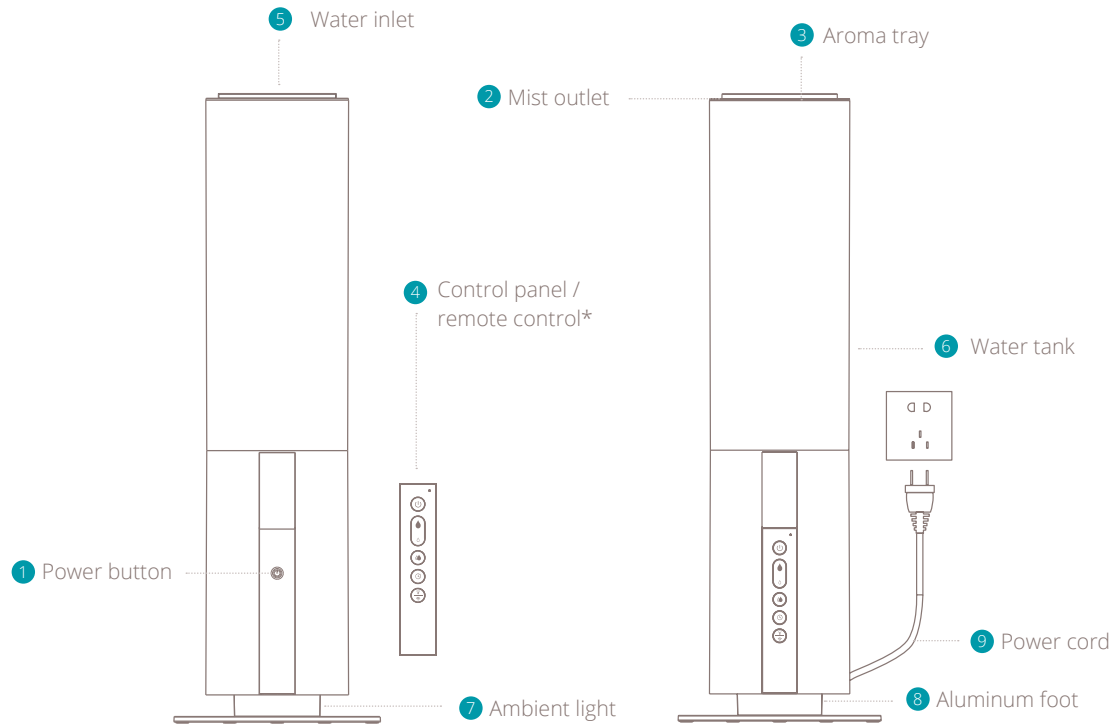
Dry skin, dry throat or regular headaches? Chances are the air inside your home is too dry. Meet Beam, the versatile high-capacity humidifier with a minimal footprint. Its large water tank capacity of 5 liters and high mist output of 350 ml/h ensure optimum performance. Filling the Beam is easy thanks to its top filling capability. And its built-in hygrometer and built-in temperature sensor work wonders when it comes to ease of use.

Read this manual carefully to get the most out of your Beam ultrasonic humidifier.

Table of contents

1. Product overview	4
2. Installation & use	5
3. Functions	8
4. Maintenance	13
5. Technical specifications	16
6. FAQ	17

1. Product overview



* = To use the remote control, please lift from the dock by gently pulling out from the bottom

2. Installation and use

⚠ Note: Please take notice of below instructions and the separately included warning sheet before using the product.

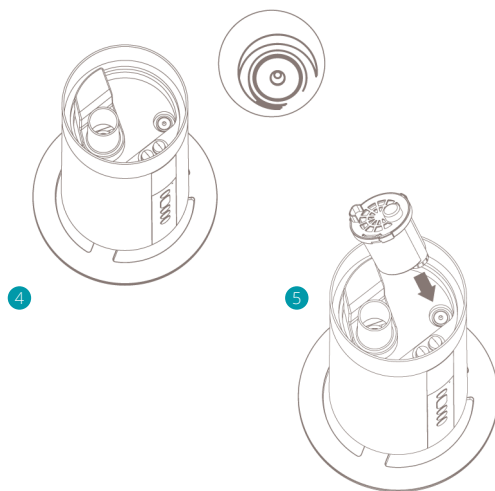
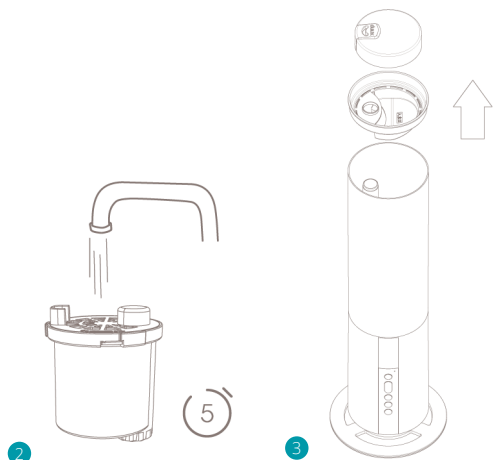
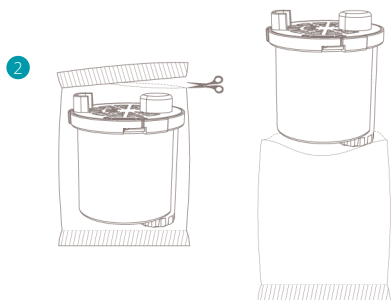
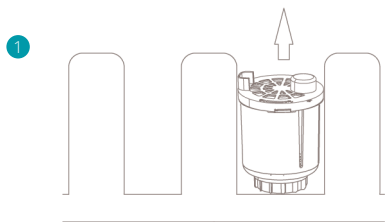
General cautions

- Check the voltage on the device label before use. Only connect the device to sockets that correspond to the voltage of the device. If you are unsure whether your connections meet the requirements, consult an electrician or your electricity supplier.
- Do not disassemble and repair the appliance without authorization.
- If the power cord is damaged, in order to avoid danger, it must be replaced by the manufacturer or its maintenance department, and not by yourself.;
- If there is any abnormality, please unplug the power cord immediately and it must be repaired by the manufacturer or its maintenance department.
- Regularly clean the dust on the power cord plug;
- Before cleaning or moving, please turn off the power and unplug the power cord;
- When pulling the plug, hold the power plug instead of pulling the power cord;
- Do not touch the water and parts of the product while the power is on;

- Do not cover the air inlet and the mist outlet with items such as towels;
- This is not a toy. To avoid accidents, keep it away from babies and children. Do not put it in a crib, stroller or playpen. Please do not let children and babies play and use the device;
- Do not use the device on a sloping table, it should be placed in a flat and stable surface;
- Do not add flavors or similar substances produced or supervised by the company to the water tank and water tank in the device; You can use the designated aroma tray underneath the lid to add aromatherapy.
- Do not use in the kitchen. Please keep away from heat sources, avoid direct sunlight, and keep away from furniture and other household appliances 2 meters away from moisture.
- Be aware that high humidity levels may encourage the growth of biological organisms in the environment.
- Do not permit the area around the humidifier to become damp or wet. If dampness occurs, turn the output of the humidifier down. If the humidifier output volume cannot be turned down, use the humidifier intermittently. Do not allow absorbent materials, such as carpeting, curtains, drapes, or tablecloths, to become damp.
- Never leave water in the reservoir when the appliance is not in use.

Installing the filter

- 1 Take out the filter from the box
- 2 Remove the plastic bag from the filter holder and rinse 5 minutes before first use
- 3 Lift the cover and water inlet tray to open the water tank
- 4 Place the filter holder in the designated position
- 5 Push and gently turn to fix the filter holder



- Empty and clean the humidifier before storage. Clean the humidifier before next use.

Warning: Micro-organisms that may be present in the water or in the environment where the appliance is used or stored, can grow in the water reservoir and be blown in the air causing very serious health risks when the water is not renewed and the tank. Renew water every 3 days.

Installing the product

- 1 Unpack the device and remove the packing materials from the device. Store the packing materials for possible future transportation.
- 2 Plug the power cord in a wall outlet. You will hear a beep and the power indicator will blink.
- 3 Press the power button to switch on the device and the display will light up.

Filling the water tank

Note: Always remove the plug when filling the water tank. Preferably use clean tap- or distilled water to prevent bacteria and scale inside the water tank.

Warning: Only fill with cold or lukewarm water. Hot or boiling water will damage the device.

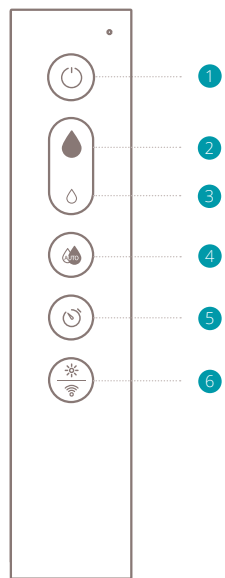
Please add water to the water tank before using the device according to the steps below:

- 1 Remove the power plug and take off the lid on the top side;
- 2 Fill the water tank with water using a watering can or container (do not exceed the transparent water inlet cover)
- 3 Place back the top cover and make sure it fits properly. You may now switch on the device.

Note: When using the device for the first time, the water may have a slight smell and discoloration. This is normal and not harmful for your health.

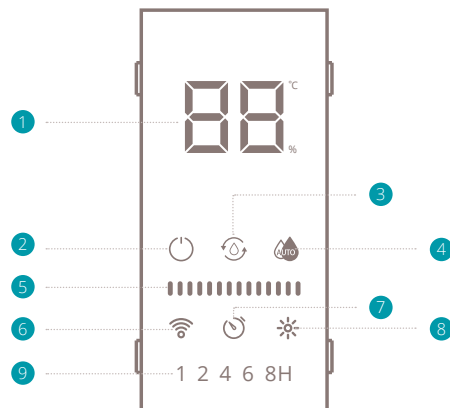
Warning: Never use any other liquid than water. Only use aroma in the dedicated aroma tray.

3. Functions



Control panel / remote control

- 1 Power
- 2 Increase mist output
- 3 Decrease mist output
- 4 Auto mode
- 5 Timer
- 6 Ambient light / WIFI mode



Display

- 1 Temperature (°C) / Humidity (%) display
- 2 Power indicator
- 3 Refill water indicator
- 4 Auto mode indicator
- 5 Mist output level bars
- 6 WIFI indicator
- 7 Timer indicator
- 8 Ambient light indicator
- 9 Timer hour(s) indicator

Power

Press the power button to switch on the device. The corresponding indicator will light up on the display and the ambient light will switch on. The WIFI indicator will blink to look for devices to pair. The monitoring screen will show the actual temperature and humidity every 5 seconds. Press again to switch off the device (the device will remain in stand-by mode until the plug is removed from the wall outlet). The default humidity setting is MEDIUM output.

Note: you can also switch on the device with the touch button on the device, located behind the control panel / remote control.

Increase / decrease mist output

Press the button increase the mist output. The mist output level bars will change accordingly. Pressing the button will decrease the mist output. There are three mist output levels: LOW , MEDIUM , HIGH

Note: The mist output setting will not cycle when pressing or button multiple times.

Auto mode


Press the button to activate the self-regulating hygrostat. The mist output intensity will now self-regulate according to the ambient relative humidity. Press multiple times to change the desired humidity in the following order: 40% > 45% > 50% > 55% > 60% > 65% > 70% > 75% > 80% > 85% > 90% > ACTUAL HUMIDITY > 40% > 50% > ... and so on. Each press will increase with 5%. Once released, the selected humidity will blink 3 seconds to confirm your choice.

When the hygrostat is set above the actual humidity, the device will operate in high speed until the desired humidity has been reached. When the hygrostat is set below the actual humidity, the device will not humidify. After setting the hygrostat, the display will show the ambient relative humidity.

Timer

Press the key to activate the timer setting. With every touch the timer will increase with one hour in the following sequence: 1h > 2h > 4h > 6h > 8h > OFF. Once the timer is activated, the device will automatically shut down after the set timer has been completed.

Ambient light

Press the  button to activate the ambient light. Press again to deactivate.

WIFI mode

Press and hold the  button for 5 seconds to activate the WIFI mode. The indicator will quickly disappear and then flash rapidly (searching for devices to pair)

WIFI and APP operation

Scan below QR code to download the Duux APP or search DUUX APP in the App Store or Google Play Store to start the procedure to download the APP. Once installed, enter your e-mail address and complete the registration.



APP STORE



PLAY STORE

Connect to WIFI

- 1 Once registered, click “add duux device” on the main screen or use the “+” button in the top right corner to add a new device.,
- 2 Search for “Beam” and press to continue
- 3 Connect to your preferred WiFi network and enter the corresponding password
- 4 Follow the instructions in the app to complete the pairing process.

Display icons

Power

When the indicator on, the device is switched on. If it blinks, the device is in stand-by mode

Water replacement indicator

When the indicator flashes red, it indicates that there is water shortage. Please remove the top cover and add water.


Auto mode

When this indicator light is on, it means the humidifier is operating in AUTO mode.

Mist output level bars

The amount of bars determine the mist output intensity set in manual operation mode. There are three mist output levels: LOW , MEDIUM , HIGH 

WIFI indicator

When the indicator light blinks, it means it's idle and looking for a device to pair. If it's solid, it means the device is connected. Press and hold the  button for 5 seconds to cancel the pairing operation.

Timer indicator

When the indicator lights up, it means you have entered the timer mode. Below you will see the number (1, 2, 4, 6 or 8H) of hours on which the timer is activated.

Display brightness

The display will automatically dim after the last touch or press.

Water shortage

If there is no water remaining in the water tank, a beep will sound 3 times, and the water shortage icon will automatically return to the standby state after flashing 50 times.

Aroma tray/sponge

Below the top cover you will find a small handle which hides the aroma tray. Lift the handle to release the tray and pour a few drops of aromatherapy on the sponge. Place back the aroma tray and top cover to continue the operation.

Note: Only use aromatherapy that is suitable for ultrasonic humidifiers. Other types of aromatherapy may damage the device. Refrain from using oil-based aromatherapy at all times!

Control panel / remote control

The control panel is integrated in the remote control. When not in use, we recommend placing the remote control back in the holder on the device. Remote control batteries are included (type: AAA). Please note the polarity when inserting the batteries.

4. Maintenance

Important: Be sure to remove the power plug from the outlet before carrying out maintenance.

Important: Do not soak or immerse the power plug or the device in water.



Clean water tank every 3 days

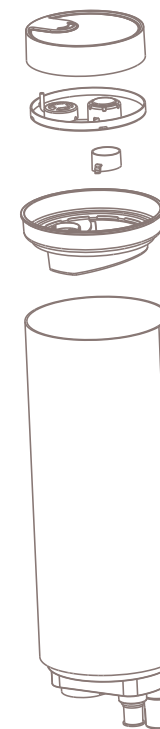
Water replacement

In order to maintain the best performance of the humidifier, the water in the water tank and the water tank itself should be cleaned every 3 days.

Cleaning

- Please use a soft cloth to wipe the dust on the body; If the surface is too dirty, it is better to wipe it clean with a dampened cloth mixed with neutral detergent.
- Do not use chemical solvents, gasoline, polishing powder, etc. to clean the surface of the device. Do not place the device or any of its parts in the dishwasher to clean. It is best to clean it with clean water.
- Please use a soft cloth to clean the parts (see image) regularly. If the regular cleaning can't remove the scale on the inside of the water tank,

mix some lemon vinegar with lukewarm water (water and lemon vinegar ratio 10ml:1g) Pour everything into a large container and let it soak for 5 minutes. Then gently scrub the scale surface with a soft brush until the scale is removed.



Storage

When the appliance is not used for a long time, please clean all the components, dry them, and put them into the original box and store them in a dry place.

Spare parts

Spare parts and accessories can be requested at the point of purchase or local distributor.

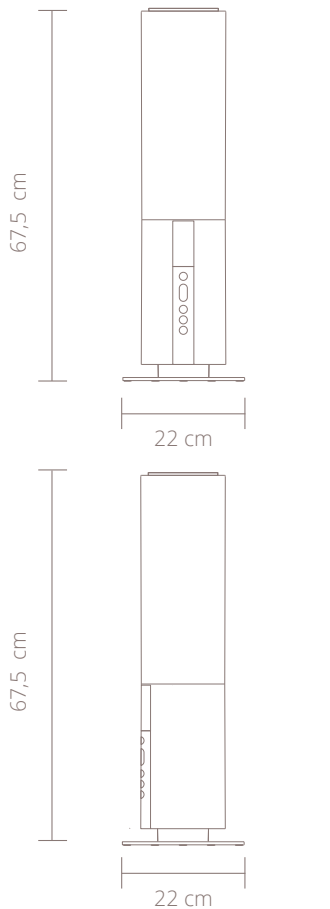
Disposal

The European directive 2012 / 19 / CE on Waste Electrical and Electronic Equipment (WEEE), requires that old household electrical appliances must not be disposed in the normal unsorted municipal waste stream. Old appliances must be collected separately in order to optimize the recovery and recycling of the materials they contain and reduce the impact on human health and the environment. The crossed out "wheeled bin" symbol on the product reminds you of your obligation, that when you dispose of the appliance it must be separately collected. Consumers should contact their local authority or retailer for information concerning the correct disposal of their old appliance.



The smart
and powerful
humidifier with
minimal footprint

5. Technical specifications



Weight:
2 kg



Power consumption:
28W



Water tank capacity:
5L



Effective area:
40m²



Mist output (max.):
350ml/h



Max. operation time:
25h



Power cord length:
1,5m



Main materials:
ABS, PP



Output settings:
3



Model no.:
DXHU10/11

The appearance and specification of the device may be changed without notice.

6. FAQ

Q. The power/water supply indicator does not light up and mist does not come out.

A. Insert the power plug all the way to the back of the socket or check if there is a power cut.

Q. The power/water supply indicator is red and the power is off, even though the power button is pushed.?

A. There is not enough water. Please fill the water tank with water.

Q. Strange noises accompany the use of the product.

A. A “burbling” sound comes out of the main body. This sound is the sound of water being supplied from the water tank to the main body and does not mean the product is defective.

Q. A strange noise can be heard from the removed water tank.

A. When you remove an empty or nearly-empty water tank from the main body, an abnormal sound from the water tank can be heard. This sound is related to pressure within the water tank and does not mean the product is defective.

Q. Mist can't be seen even when the power is connected.

A. - Is the power/water supply display flashing red? There is insufficient water, if it is flashing red. Please fill the water tank with water.
- The mist may not be visible depending on the balance between the room temperature and humidity.

Q. The floor is wet / There is a water leakage.

A. Is the floor wet due to excessive humidity?
- Wet floors from mist can occur due to the room environment and conditions of use. Please switch the mist volume to minimum output or AUTO mode.

Bedankt dat je voor Duux hebt gekozen.

We zijn blij dat je hebt besloten de handleiding bij je nieuwe luchtbevochtiger van Duux door te lezen! Veel gebruikers laten de instructies links liggen en proberen er zelf achter te komen. Uit onderzoek blijkt echter dat mensen die de handleiding lezen sneller en beter snappen hoe een apparaat werkt dan mensen die er met vallen en opstaan achterkomen.

Bij Duux geloven we in het belang van een comfortabele, gezonde leefomgeving. Jouw welzijn verhogen door aantrekkelijke, functionele en effectieve producten te ontwikkelen: dat is de passie die ons iedere dag opnieuw drijft. Met ons aanbod aan innovatieve luchtbehandelingsproducten willen we je de best denkbare luchtkwaliteit binnenshuis bieden.

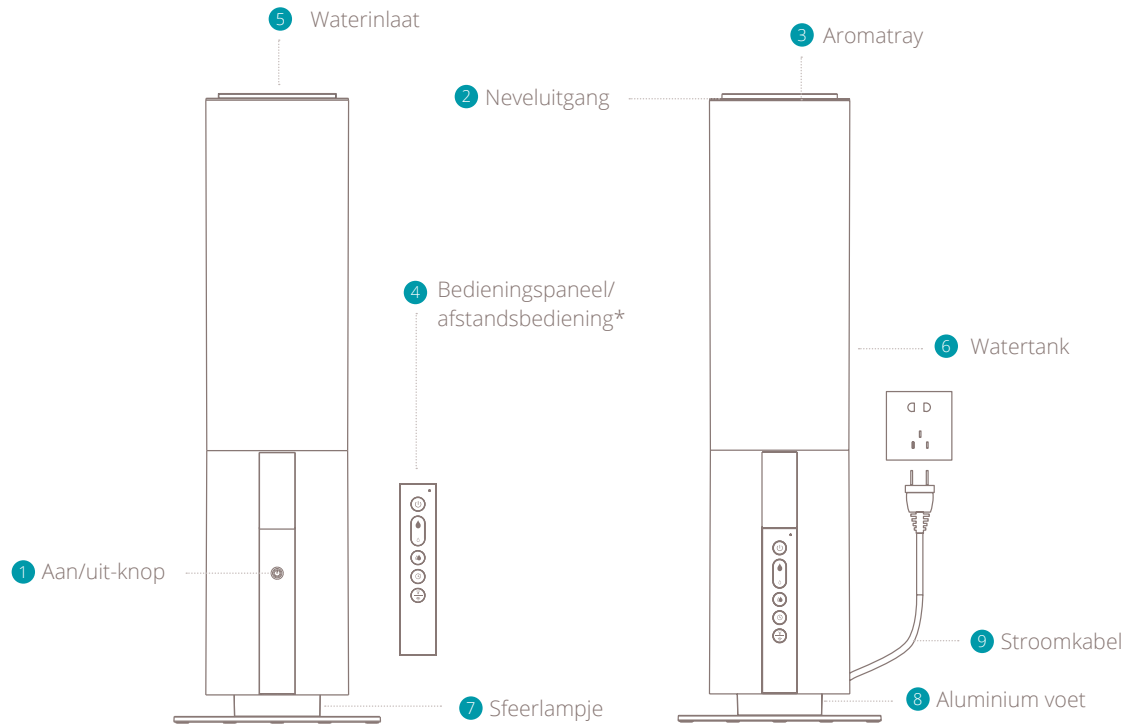
Een droge huid, droge keel of regelmatig hoofdpijn? Dan bestaat er een kans dat de lucht in je huis te droog is. Maak kennis met Beam, de veelzijdige, krachtige luchtbevochtiger met de minimale voetafdruk. Met zijn grote tankinhoud van 5 liter en hoge neveluitstoot van 350 ml/u staat hij voor optimale prestaties. Je vult Beam eenvoudig van bovenaf bij. En de ingebouwde hygrostat en temperatuursensor zorgen voor optimaal gebruiksgemak.

Lees deze handleiding goed door om alles uit je ultrasone Beam luchtbevochtiger te halen.

Inhoudsopgave

1. Productoverzicht	20
2. Installatie en gebruik	21
3. Functies	24
4. Onderhoud	29
5. Technische specificaties	32
6. Veelgestelde vragen	33

1. Product overview



* = Afstandsbediening uit de dock verwijderen door voorzichtig van onderaf naar buiten te trekken

2. Installatie en gebruik

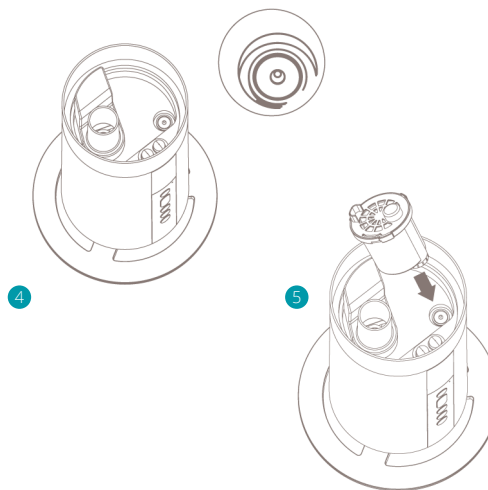
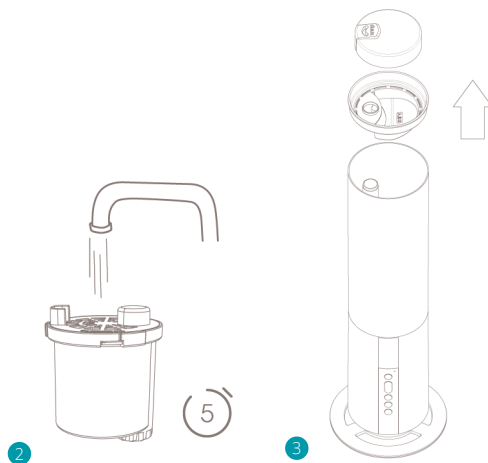
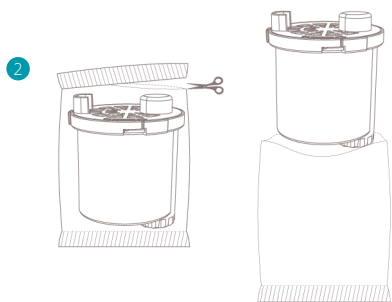
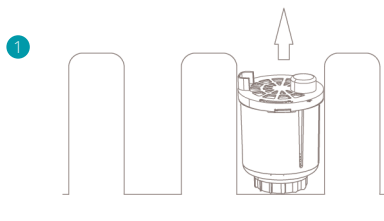
⚠ Let op: Lees de onderstaande instructies en het losse waarschuwingsvel goed door voordat je dit product gebruikt.

Algemene waarschuwingen

- Controleer vóór gebruik het voltage op het apparaat. Sluit het apparaat alleen aan op stopcontacten met hetzelfde voltage. Twijfel je of je aansluitingen aan de eisen voldoen, neem dan contact op met een electriciteitsleverancier.
- Demonteer en repareer het apparaat niet zelf zonder toestemming.
- Indien de stroomkabel is beschadigd, dient deze te worden vervangen door de fabrikant of de onderhoudsafdeling van de fabrikant. Doe dit niet zelf;
- Haal bij iedere afwijking direct de stekker uit het stopcontact en laat het apparaat repareren door de fabrikant of de onderhoudsafdeling van de fabrikant.
- Stof de stekker regelmatig af;
- Schakel het apparaat uit alvorens het te reinigen of verplaatsen en trek de stekker uit het stopcontact;
- Houd de kabel bij de stekker vast en trek niet aan de stroomkabel zelf;
- Raak het water en de onderdelen van het apparaat niet aan terwijl het aanstaat;
- Sluit de luchtinlaat en neveluitgang niet af met bijv. handdoeken;
- Dit is geen speelgoed. Houd het apparaat uit de buurt van baby's en kinderen om ongelukken te voorkomen. Plaats het niet in een wieg, wandelwagen of box. Laat kinderen en baby's niet met het apparaat spelen en laat ze het apparaat niet gebruiken;
- Plaats het apparaat niet op een schuin aflopende tafel maar op een platte, stabiele ondergrond;
- Voeg geen smaakstoffen of soortgelijke stoffen toe geproduceerd door of onder toezicht van het bedrijf aan de watertank in het apparaat. Je kunt de hiervoor bestemde aromatray onder het deksel gebruiken om aromatherapie toe te voegen.
- Niet in de keuken gebruiken. Houd uit de buurt van warmtebronnen, vermijd direct zonlicht en houd uit de buurt van meubels en andere huishoudelijke apparatuur. Plaats op twee meter afstand van vocht.
- Wees u ervan bewust dat een hoge vochtigheidsgraad de groei van biologische organismen in de omgeving kan bevorderen.
- Zorg ervoor dat de ruimte rond de luchtbevochtiger niet vochtig of nat wordt. Als er vochtigheid optreedt, zet dan de uitgang van de luchtbevochtiger lager. Als het uitgangsvolume

Installeren van de filter

- 1 Neem het filter uit de doos
- 2 Verwijder de plastic zak van de filterhouder en spoel 5 minuten voor het eerste gebruik
- 3 Til het deksel en de waterinlaat op om het waterreservoir te openen
- 4 Plaats de filterhouder in de daarvoor bestemde positie
- 5 Druk en draai voorzichtig om de filterhouder vast te zetten



van de luchtbevochtiger niet lager kan worden gezet, gebruik de luchtbevochtiger dan met tussenpozen. Zorg ervoor dat absorberende materialen, zoals tapijten, gordijnen, vitrage of tafelkleden, niet vochtig worden.

- Laat nooit water in het reservoir staan wanneer het apparaat niet in gebruik is.
- Leeg en reinig de luchtbevochtiger voordat u hem opbergt. Reinig de luchtbevochtiger voor het volgende gebruik.

⚠ Waarschuwing: micro-organismen die aanwezig kunnen zijn in het water of in de omgeving waar het apparaat wordt gebruikt of opgeborgen, kunnen in het waterreservoir groeien en in de lucht worden geblazen. Hierdoor kunnen zeer ernstige gezondheidsrisico's ontstaan wanneer het water in het reservoir niet wordt ververs. Ververs het water elke 3 dagen.

Installatie van het product

- 1 Pak het apparaat uit en verwijder al het verpakkingsmateriaal. Bewaar het verpakkingsmateriaal voor toekomstig vervoer.
- 2 Steek de stroomkabel in een stopcontact.
- 3 Je hoort een piepje en de stroomindicator knippert. Druk op de aan/uit-knop om het apparaat aan te zetten. Het scherm is nu verlicht.

Watertank vullen

⚠ Let op: Trek altijd de stekker uit het stopcontact bij het vullen van de watertank. Gebruik bij voorkeur schoon kraan- of gedestilleerd water om bacteriën en kalkaanslag in de watertank te voorkomen.

⚠ Waarschuwing: Alleen vullen met koud of lauw water. Heet of kokend water beschadigt het apparaat.

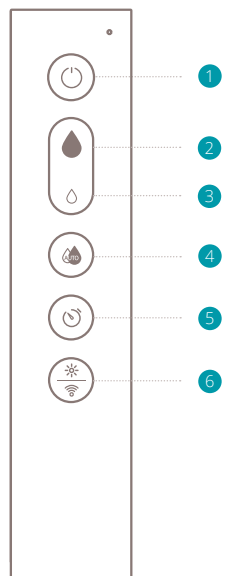
Vul de watertank vóór gebruik op de volgende manier met water:

- 1 Trek de stekker eruit en verwijder het deksel aan de bovenkant;
- 2 Vul de watertank met water met behulp van een kan of bak (niet breder dan het doorzichtige deksel van de waterinlaat)
- 3 Plaats het deksel terug en controleer of het goed aansluit. Je kunt het apparaat nu aanzetten.

⚠ Let op: Wanneer je het apparaat voor het eerst gebruikt, kan het water licht ruiken en verkleurd zijn. Dit is normaal en niet schadelijk voor de gezondheid.

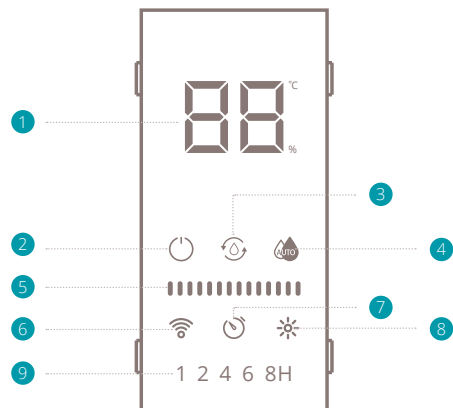
⚠ Waarschuwing: Gebruik nooit een andere vloeistof dan water. Gebruik aroma alleen in de daarvoor bestemde aromatray.

3. Functies



Bedieningspaneel/ afstandsbediening

- 1 Aanzetten
- 2 Neveluitstoot verhogen
- 3 Neveluitstoot
- 4 Verlagen Automodus
- 5 Timer
- 6 Sfeerlampje/wifi-modus



Display

- 1 Temperatuur (°C)/luchtvochtigheid (%) van scherm
- 2 Stroomindicator
- 3 Indicator voor wat bijvullen
- 4 Indicator automodus
- 5 Balkjes sterkte neveluitvoer
- 6 Wifi-indicator
- 7 Timerindicator
- 8 Indicator sfeerlampje
- 9 Indicator uren timer

Aanzetten

Druk op de aan/uit-knop om het apparaat aan te zetten. De bijbehorende indicator op het scherm gaat branden en het sfeerlampje gaat aan. De wifi-indicator knippert op zoek naar apparaten om verbinding mee te maken. Het scherm toont elke vijf seconden de temperatuur en luchtvochtigheid in de ruimte. Druk nogmaals om het apparaat uit te zetten (het apparaat staat in stand-by totdat de stekker uit het stopcontact wordt getrokken. De standaard luchtvochtigheidsinstelling is MEDIUM uitstoot.

⚠ Let op: je kunt het apparaat ook aanzetten met de touchknop op het apparaat, achter het bedieningspaneel / de afstandsbediening.

Verhogen / verlagen neveluitstoot

Druk op om de neveluitstoot te verhogen. De balkjes met het uitstootniveau worden overeenkomstig aangepast. Door op te drukken, verlaag je de neveluitstoot. Er zijn drie mogelijkheden:
LOW , MEDIUM ,
HIGH

⚠ Let op: De cyclus begint niet opnieuw door meermaals op of te drukken.

Automodus

Druk op om de zelfregulerende hygrostat te activeren. De neveluitstoot wordt nu automatisch gereguleerd op basis van de relatieve omgevingsluchtvochtigheid. Druk meerdere malen voor het aanpassen van de gewenste luchtvochtigheid in deze volgorde: 40% > 45% > 50% > 55% > 60% > 65% > 70% > 75% > 80% > 85% > 90% > ACTUAL HUMIDITY > 40% > 50% > ...etc. Met elke druk wordt de uitstoot met 5% verhoogd. Zodra je de knop loslaat, knippert de gekozen uitstoot driemaal om je keuze te bevestigen.

Wanneer de hygrostat boven de aanwezige luchtvochtigheid wordt ingesteld, draait het apparaat op hoge snelheid totdat de gewenste luchtvochtigheid is bereikt. Wordt de hygrostat onder de aanwezige luchtvochtigheid ingesteld, dan is het apparaat niet actief. Na het instellen van de hygrostat toont het scherm de relatieve luchtvochtigheid in de ruimte.



Timer

Druk op om de timerinstelling te activeren. Per druk neemt de timer als volgt toe met één uur toe: 1h > 2h > 4h > 6h > 8h > OFF. Zodra de timer is geactiveerd, schakelt het apparaat automatisch uit nadat de ingestelde duuris verstreken.



Sfeerlampje

Druk op om het sfeerlampje te activeren. Druk nogmaals om uit te schakelen.



Wifi-modus

Houd de knop vijf seconden ingedrukt om de wifi-modus te activeren. De indicator dooft en knippert vervolgens snel (op zoek naar apparaten om mee te verbinden)

Bediening van wifi en app

Scan de onderstaande QR-code om de Duux-app te downloaden of zoek de Duux-app in de App Store of Google Play Store om de app te downloaden. Voer na de installatie je e-mailadres in en rond de registratie af.

Verbinden met wifi

- 1 Klik na de registratie op 'add duux device' op het hoofdscherm of gebruik de knop '+' rechtsboven om een nieuw apparaat toe te voegen.
- 2 Zoek naar 'Beam' en klik hierop om door te gaan.
- 3 Maak verbinding met het gewenste wifi-netwerk en voer het bijbehorende wachtwoord in.
- 4 Volg de instructies in de app om de verbindingprocedure te voltooien.

APP STORE



PLAY STORE



Pictogrammen



Aanzetten

Als dit lampje brandt, staat het apparaat aan. Als het knippert, staat het in de stand-bymodus



Indicator water bijvullen

Als dit lampje rood knippert, betekent dit dat het waterpeil te laag is. Verwijder het deksel en vul water bij.



Automodus

Als dit lampje brandt, is de luchtbevochtiger actief in de automodus.



Balkjes sterkte neveluitstoot

In de handmatige modus geeft het aantal balkjes de ingestelde sterkte van de neveluitstoot aan. Er zijn drie opties: LOW , MEDIUM , HIGH



Wifi-indicator

Als het lampje knippert, is het apparaat op zoek naar apparaten om mee te verbinden. Brandt het continu, dan is het apparaat verbonden. Druk vijf seconden op om de verbindingprocedure te annuleren.



Timerindicator

Als dit lampje oplicht, ben je in de timermodus. Daaronder zie je het aantal uren (1, 2, 4, 6 of 8H) waarop de timer is ingesteld.

Helderheid scherm

Het scherm dimt automatisch nadat de laatste knop is aangeraakt.

Te weinig water

Als het water in de watertank op is, klinkt er driemaal een piepje. Het pictogram keert automatisch terug naar stand-by na 50 keer knipperen.

Aromatray/spons

Onder het deksel vind je een hendeltje waaronder de aromatray verborgen zit. Trek aan de hendel om de tray te verwijderen en laat wat druppels aromatherapie op de spons vallen. Plaats de aromatray en het deksel terug om door te gaan.

⚠ Let op: gebruik uitsluitend aromatherapie die geschikt is voor ultrasonie luchtbevochtigers. Andere soorten kunnen het apparaat beschadigen. Gebruik nooit aromatherapie op basis van olie.

Bedieningspaneel/ afstandsbediening

Het bedieningspaneel is verwerkt in de afstandsbediening. Wanneer je de afstandsbediening niet gebruikt, adviseren we je om hem terug te zetten in de houder op het apparaat. De batterijen voor de afstandsbediening zijn meegeleverd (type AAA). Let bij het plaatsen van de batterijen op de symbolen voor de polen.

4. Onderhoud

⚠ Belangrijk: trek vóór ieder onderhoud de stekker uit het stopcontact.

⚠ Belangrijk: dompel de stekker of het apparaat nooit onder in water.



Reinig het waterreservoir elke 3 dagen.

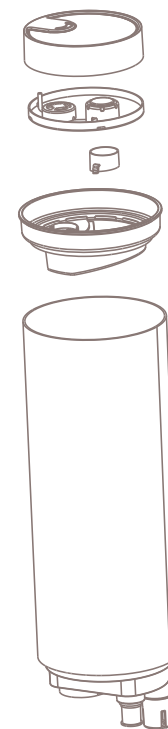
Water verversen

Om de luchtbevochtiger in optimale conditie te houden, moet het water regelmatig worden verversen en de watertank elke 3 dagen worden gereinigd;

Reinigen

- Gebruik een zachte doek om stof van de behuizing te vegen. Is de buitenkant te vuil, gebruik dan een vochtige doek met een neutraal reinigingsmiddel.
 - Gebruik geen chemische oplosmiddelen, benzine, polijstmiddel, enz. om de buitenkant van het apparaat te reinigen.
- Plaats het apparaat of enig onderdeel ervan niet in de afwasmachine. Je kunt het apparaat het beste reinigen met schoon water.
- Gebruik een zachte doek om de onderdelen

regelmatig te reinigen (zie afbeelding). Lukt het niet om met regelmatig reinigen de kalkaanslag in de watertank te verwijderen, meng dan wat citroenzuur met lauw water (verhouding water en citroenzuur 10ml:1g). Giet het mengsel in een grote bak en laat vijf minuten weken. Borstel dan voorzichtig het oppervlak met de kalkaanslag totdat deze is verdwenen.



Opbergen

Ben je van plan het apparaat langere tijd niet te gebruiken, reinig dan alle onderdelen, maak ze droog, plaats ze in de originele doos en zet deze op een droge plek.

Reserveonderdelen

Reserveonderdelen en accessoires kunnen worden aangeschaft bij het verkooppunt of de plaatselijke distributeur.

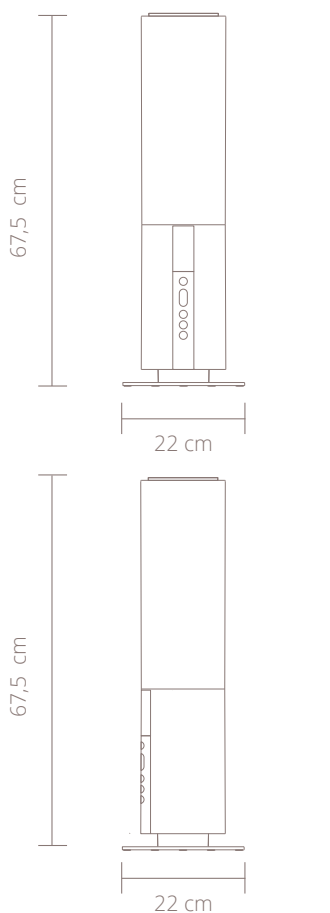
Afvoer

Volgens de Europese richtlijn 2012/19/ EU betreffende afgedankte elektrische en elektronische apparatuur (AEEA) mogen oude elektrische huishoudelijke apparaten niet via de gemeentelijke diensten als normaal ongesorteerd huishoudelijk afval worden afgevoerd. Oude apparaten moeten gescheiden worden ingezameld om hergebruik en recycling van de materialen in de apparaten te optimaliseren en de effecten op de gezondheid van mensen en het milieu te beperken. Het symbool van een container met een kruis erdoor herinnert je aan je verplichting om het afgedankte apparaat aan te bieden voor gescheiden afvalinzameling. Consumenten dienen contact op te nemen met de plaatselijke overheid of hun detailhandelaar voor meer informatie over de correcte afvoer van oude apparaten.



De slimme
en krachtige
luchtbevochtiger
met de minimale
voetafdruk

5. Technische specificaties



-  Gewicht: 2 kg
-  Stroomverbruik: 28W
-  Inhoud watertank: 5L
-  Effectieve ruimte: 40m²
-  Neveluitstoot (max.): 350ml/u
-  Max. gebruikstijd: 25u
-  Lengte stroomkabel: 1,5m
-  Hoofdmaterialen: ABS, PP
-  Instellingen uitstoot: 3
-  Modelnr.: DXHU10/11

Het uiterlijk en de specificaties van het apparaat kunnen zonder voorafgaande kennisgeving worden gewijzigd

6. Veelgestelde vragen

V. De stroom-/waterindicator brandt niet en er komt geen nevel uit.

- A. Steek de stekker helemaal in het stopcontact of controleer of er een stroomstoring is.

V. De stroom-/waterindicator brandt rood en de stroom is uit, zelfs als ik op de aan/uit-knop druk.

- A. Het waterpeil is te laag. Vul water bij in de watertank.

V. Ik hoor vreemde geluiden wanneer ik het apparaat gebruik.

- A. Het apparaat maakt een 'borrelend' geluid. Dit is het geluid van water dat vanuit de watertank naar het apparaat wordt geleid en betekent niet dat het apparaat defect is.

V. Er komt een vreemd geluid uit de verwijderde watertank.

- A. Wanneer je een lege of bijna lege watertank van de machine haalt, kan de tank een vreemd geluid voortbrengen. Dit geluid heeft te maken met druk in de watertank en betekent niet dat het apparaat defect is.

V. Ik zie geen nevel, zelfs niet als het apparaat op stroom is aangesloten.

- A. - Knippert de stroom-/waterindicator rood? In dat geval is het waterpeil te laag. Vul water bij in de watertank.
- De nevel is mogelijk niet zichtbaar vanwege de balans tussen de temperatuur en de luchtvochtigheid in de kamer.

V. De vloer is nat/er heeft water gelekt.

- A. Is de vloer nat door overmatige luchtvochtigheid?
- Natte vloeren door nevel kunnen voorkomen als gevolg van de temperatuur en gebruiksomstandigheden. Zet het nevelvolume op minimale uitstoot of AUTO-modus.

Merci d'avoir choisi Duux.

Nous sommes ravis que vous ayez décidé de lire les instructions relatives à votre nouvel humidificateur d'air Duux ! De nombreux utilisateurs ne prêtent pas attention aux instructions et veulent trouver eux-mêmes comment fonctionne l'appareil. Cependant, des études démontrent que les personnes qui lisent les instructions pourront se familiariser avec l'appareil plus rapidement et plus efficacement que celles qui procèdent par tâtonnements.

Chez Duux, nous sommes convaincus de l'importance d'un environnement de vie confortable et sain. La passion qui nous anime jour après jour est d'améliorer votre bien-être en concevant des produits attrayants, fonctionnels et efficaces. Grâce à notre gamme d'appareils de traitement de l'air innovants, nous visons à vous fournir la meilleure qualité d'air intérieur possible.

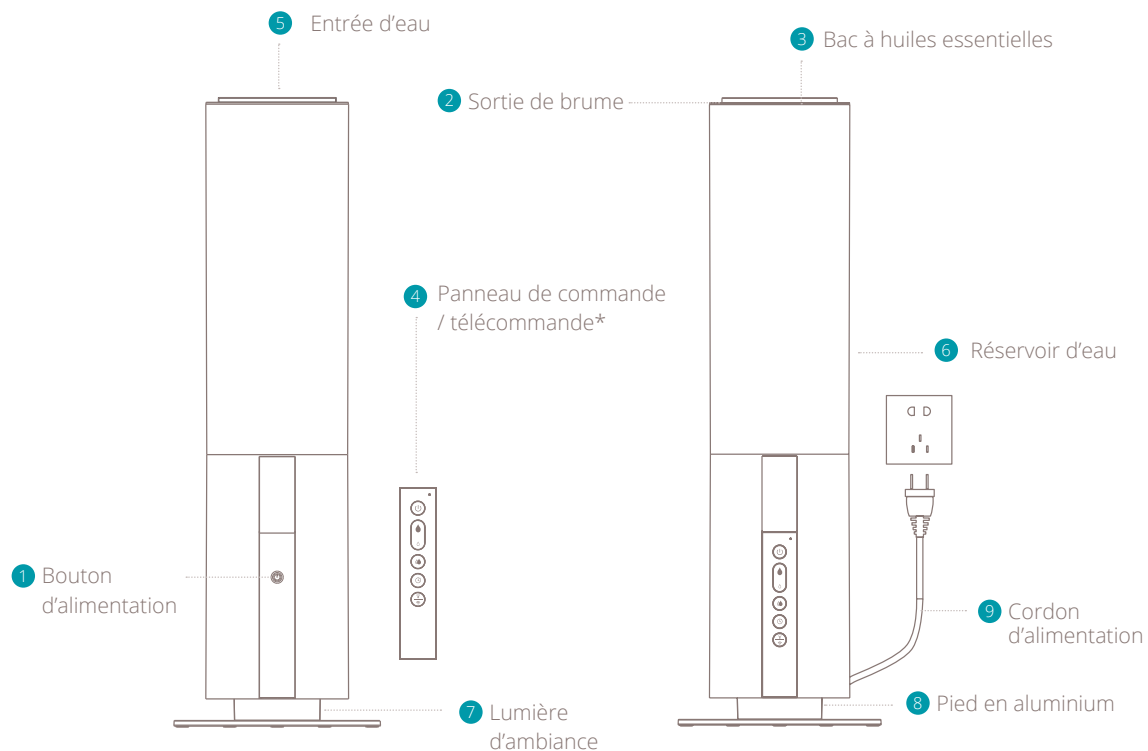
Peau sèche, gorge sèche ou maux de tête réguliers ? Il se pourrait bien que l'air à l'intérieur de votre maison soit trop sec. Nous vous présentons Beam, l'humidificateur polyvalent de grande capacité pour un encombrement minimal. Son réservoir d'eau grande capacité de 5 litres et son débit de brume élevé de 350 ml/h garantissent des performances optimales. Remplir le Beam est facile grâce à sa capacité de remplissage optimale. De plus, son hygromètre et son capteur de température intégrés excellent en termes de facilité d'utilisation.

Lisez attentivement ce manuel pour tirer le meilleur parti de votre humidificateur à ultrasons Beam.

Table des matières

1. Aperçu du produit	36
2. Installation et utilisation	37
3. Fonctions	40
4. Maintenance	45
5. Spécifications techniques	48
6. FAQ	49

1. Aperçu du produit



* = Pour utiliser la télécommande, veuillez la retirer de son socle en tirant doucement par le bas

2. Installation et utilisation

⚠ Remarque: Veuillez prendre en compte les instructions ci-dessous et la feuille d'avertissement fournie séparément avant d'utiliser l'appareil.

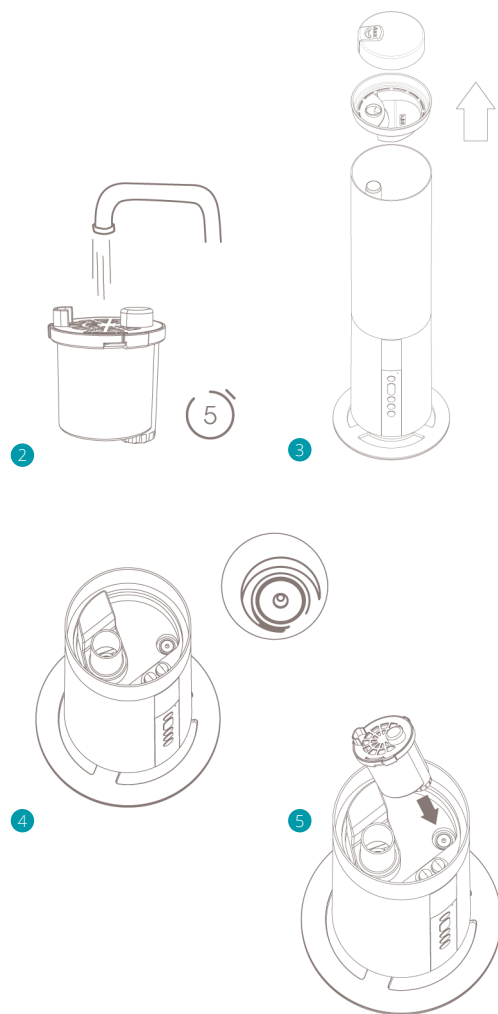
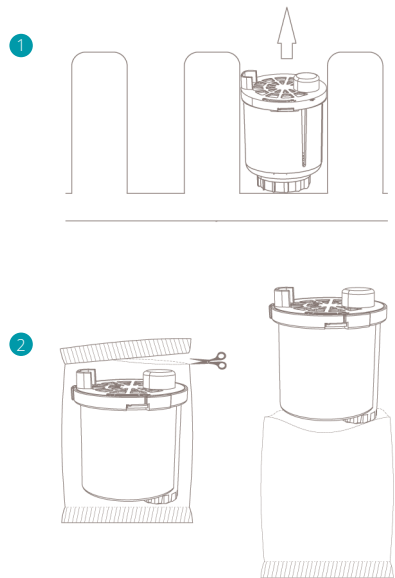
Précautions générales

- Vérifier la tension sur l'étiquette de l'appareil avant l'utilisation. Ne brancher l'appareil que sur des prises correspondant à la tension de l'appareil. Si vous ne savez pas si vos connexions répondent aux exigences, consultez un électricien ou votre fournisseur d'électricité.
- Ne pas démonter ni réparer l'appareil sans autorisation.
- Si le cordon d'alimentation est endommagé, il doit être remplacé par le fabricant ou son service de maintenance, et non par vous-même afin d'éviter tout danger.
- Si une anomalie se présente, veuillez débrancher le cordon d'alimentation immédiatement. Il doit être réparé par le fabricant ou son service d'entretien.
- Nettoyer régulièrement la poussière sur la fiche du cordon d'alimentation ;
- Avant de nettoyer ou de déplacer l'appareil, veuillez l'éteindre et débrancher le cordon d'alimentation ;
- Lorsque vous retirez la fiche, tenez la fiche au lieu de tirer sur le cordon ;

- Ne touchez pas l'eau et les éléments de l'appareil lorsque celui-ci est sous tension ;
- Ne pas couvrir l'entrée d'air et la sortie de brume avec des objets tels que des serviettes ;
- Ceci n'est pas un jouet. Pour éviter les accidents, éloignez-le des bébés et des enfants. Ne pas le placer dans un berceau, une poussette ou un parc pour enfants. Ne pas laisser les enfants et les bébés jouer avec l'appareil et l'utiliser ;
- Ne pas utiliser l'appareil sur une table penchée, il doit être placé sur une surface plane et stable ;
- Ne pas ajouter des arômes ou des substances similaires produites ou supervisées par l'entreprise dans le réservoir d'eau de l'appareil ; Vous pouvez utiliser le bac à huiles essentielles dédié sous le couvercle pour ajouter des essences.
- Ne pas utiliser dans la cuisine. Éloigner l'appareil des sources de chaleur, de la lumière directe du soleil, des meubles et des autres appareils électroménagers. Tenir à 2 mètres des sources d'humidité.
- Sachez qu'un taux d'humidité élevé peut favoriser la croissance d'organismes biologiques dans l'environnement.
- Ne laissez pas la zone autour de l'humidificateur devenir humide ou mouillée. En cas d'humidité, réduisez la puissance de l'humidificateur. Si le volume de sortie de l'humidificateur ne peut

Installation du filtre

- 1 Sortez le filtre de la boîte
- 2 Retirez le sac plastique du porte-filtre et rincez-le 5 minutes avant la première utilisation.
- 3 Soulevez le couvercle et le plateau d'entrée d'eau pour ouvrir le réservoir d'eau.
- 4 Placez le porte-filtre à l'endroit prévu
- 5 Poussez et tournez doucement pour fixer le porte-filtre.



pas être réduit, utilisez l'humidificateur par intermittence. Ne laissez pas les matériaux absorbants, tels que la moquette, les rideaux, les draperies ou les nappes, devenir humides.

- Ne laissez jamais d'eau dans le réservoir lorsque l'appareil n'est pas utilisé.
- Videz et nettoyez l'humidificateur avant de le ranger. Nettoyez l'humidificateur avant l'utilisation suivante.

⚠ Attention : des micro-organismes présents dans l'eau ou dans l'environnement où l'appareil est utilisé ou stocké, peuvent se développer dans le réservoir d'eau et être projetés dans l'air en provoquant des risques sanitaires très graves lorsque l'eau du réservoir n'est pas renouvelée. Renouvelez l'eau tous les 3 jours.

Installer le produit

- 1 Déballer l'appareil et retirer les matériaux d'emballage de l'appareil. Conserver les matériaux d'emballage pour un éventuel transport futur.
- 2 Brancher le cordon d'alimentation dans une prise murale. Vous entendrez un bip et le voyant d'alimentation clignotera.
- 3 Appuyez sur le bouton de mise en marche sur l'appareil pour l'allumer et l'affichage s'éclairera.

Remplissage du réservoir d'eau

⚠ Remarque: Toujours retirer le bouchon lors du remplissage du réservoir d'eau. Utiliser de préférence de l'eau du robinet propre ou de l'eau distillée pour éviter les bactéries et le tartre à l'intérieur du réservoir d'eau.

⚠ Avertissement : Remplir uniquement avec de l'eau froide ou tiède. L'eau chaude ou bouillante endommagerait l'appareil.

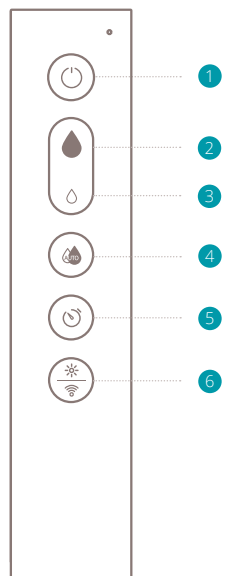
Veuillez ajouter de l'eau dans le réservoir d'eau avant d'utiliser l'appareil selon les étapes ci-dessous :

- 1 Débrancher le cordon d'alimentation et retirer le couvercle sur le dessus ;
- 2 Remplir le réservoir d'eau avec de l'eau à l'aide d'un arrosoir ou d'un récipient (ne pas dépasser le couvercle d'entrée d'eau transparent)
- 3 Replacer le couvercle supérieur et s'assurer qu'il est bien ajusté.
L'appareil peut maintenant être allumé.

⚠ Remarque: Lors de la première utilisation de l'appareil, l'eau peut dégager une légère odeur et se décolorer. Ceci est normal et sans danger pour votre santé.

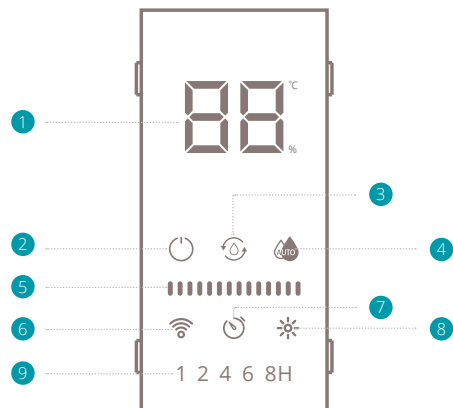
⚠ Avertissement : utilisez uniquement de l'eau. Utilisez les parfums uniquement dans le bac prévu à cet effet.

3. Fonctions



Panneau de commande / télécommande

- 1 Mise en route
- 2 Augmenter la sortie de brume
- 3 Diminuer la sortie de brume
- 4 Mode automatique
- 5 Minuterie
- 6 Lumière d'ambiance / mode WIFI



Display

- 1 Affichage de la température (°C) / humidité (%)
- 2 Indicateur d'alimentation
- 3 Indicateur de remplissage d'eau
- 4 Indicateur de mode automatique
- 5 Barres de niveau de sortie de brume
- 6 Indicateur WIFI
- 7 Indicateur de minuterie
- 8 Indicateur de lumière d'ambiance
- 9 Indicateur d'heure(s) restante(s) de minuterie

Mise en route

Appuyez sur le bouton de mise en marche pour allumer l'appareil. L'indicateur correspondant s'éclaire sur l'écran et la lumière d'ambiance s'allume. L'indicateur WIFI clignotera pour rechercher les appareils à coupler. L'écran de contrôle affiche la température et l'humidité réelles toutes les 5 secondes. Appuyez à nouveau pour éteindre l'appareil (l'appareil restera en mode veille jusqu'à ce que la fiche soit retirée de la prise murale). Le réglage d'humidité par défaut est la sortie MOYENNE.

Remarque: vous pouvez également allumer l'appareil avec le bouton tactile situé à l'arrière du panneau de commande / de la télécommande.

Remarque: le réglage de sortie de brume ne fera pas de cycle si vous appuyez plusieurs fois sur le bouton ou .

Mode auto


Appuyez sur le bouton pour activer l'hygromètre autorégulé. L'intensité de la sortie de brume va maintenant s'autoréguler en fonction de l'humidité relative de la pièce. Appuyez plusieurs fois pour modifier l'humidité souhaitée dans l'ordre suivant : 40 % > 45 % > 50 % > 55 % > 60 % > 65 % > 70 % > 75 % > 80 % > > 85 % > 90 % > HUMIDITÉ RÉELLE > 40 % > 50 % > ...et ainsi de suite. Chaque pression représente une augmentation de 5 %. Une fois le bouton relâché, l'humidité sélectionnée clignotera pendant 3 secondes pour confirmer votre choix.

Augmenter / diminuer la sortie de brume

Appuyez sur le bouton pour augmenter la sortie de brume. Les barres de niveau de sortie de brume changeront en conséquence. Appuyez sur le bouton pour diminuer la sortie de brume. Il y a trois niveaux de sortie de brume : FAIBLE , MOYEN , ÉLEVÉ

Lorsque l'hygromètre est réglé au-dessus de l'humidité réelle, l'appareil fonctionnera à vitesse élevée jusqu'à ce que l'humidité souhaitée soit atteinte. Lorsque l'hygromètre est réglé en dessous de l'humidité réelle, l'appareil n'humidifie pas. Après avoir réglé l'hygromètre, l'affichage indiquera l'humidité ambiante relative.

Minuterie

Appuyez sur la touche  pour activer la configuration de la minuterie. À chaque pression, la minuterie augmentera d'une heure dans l'ordre suivant : 1 h > 2 h > 4 h > 6 h > 8 h > OFF. Une fois que la minuterie est activée, l'appareil va s'éteindre automatiquement une fois que le temps de la minuterie s'est écoulé.

Lumière d'ambiance

Appuyez sur le bouton  pour activer la lumière d'ambiance. Appuyez à nouveau pour désactiver.

Mode WIFI

Appuyez sur le bouton  et maintenez-le enfoncé pendant 5 secondes pour activer le mode WIFI. L'indicateur disparaîtra rapidement puis clignotera rapidement (recherche des appareils à coupler)

Fonctionnement du WIFI et de l'APPLI

Scannez le code QR ci-dessous pour télécharger l'appli Duux ou recherchez l'appli DUUX dans l'App Store ou le Google Play Store pour lancer la procédure de téléchargement de l'APPLI. Une fois

l'appli installée, saisissez votre adresse e-mail et terminez l'enregistrement.

APP STORE



PLAY STORE



Connection au WIFI

- 1 Une fois enregistré, cliquez sur « ajouter un appareil Duux » sur l'écran principal ou utilisez le bouton « + » dans le coin supérieur droit pour ajouter un nouvel appareil.
- 2 Recherchez « Beam » et appuyez pour continuer.
- 3 Connectez-vous à votre réseau Wi-Fi préféré et saisissez le mot de passe correspondant.
- 4 Suivez les instructions dans l'appli pour terminer le processus de couplage.

Icônes d'affichage

Mise en route

Lorsque l'indicateur est éclairé, l'appareil est allumé. S'il clignote, l'appareil est en mode veille.




Indicateur de remplacement d'eau

Lorsque l'indicateur clignote en rouge, cela indique qu'il manque de l'eau. Veuillez retirer le couvercle supérieur et ajouter de l'eau.


Mode auto

Lorsque ce voyant est allumé, cela signifie que l'humidificateur fonctionne en mode AUTO.

Barres de niveau de sortie de brume

La quantité de barres détermine l'intensité de la sortie de brume définie dans le mode de fonctionnement manuel. Il y a trois niveaux de sortie de brume : FAIBLE , MOYEN , ÉLEVÉ 

Indicateur WIFI

Lorsque le voyant clignote, cela signifie qu'il est inactif et qu'il recherche un appareil à coupler. S'il reste allumé, cela signifie que l'appareil est connecté. Appuyez sur le bouton  et maintenez-le enfoncé pendant 5 secondes pour annuler l'opération de couplage.

Indicateur de minuterie

Lorsque l'indicateur s'allume, cela signifie que vous êtes entré en mode minuterie. Ci-dessous, vous verrez le nombre d'heures (1, 2, 4, 6 ou 8 h) d'activation de la minuterie.

Luminosité de l'écran

L'écran s'assombriera automatiquement après la dernière pression.

Manque d'eau

S'il ne reste plus d'eau dans le réservoir d'eau, un bip retentit 3 fois et l'icône de manque d'eau repasse automatiquement en mode veille après avoir clignoté 50 fois.

Bac / éponge à huiles essentielles

Sous le couvercle supérieur, vous trouverez une petite poignée qui cache le bac à huiles essentielles. Soulever la poignée pour retirer le bac et verser quelques gouttes d'huiles essentielles sur l'éponge. Replacez le bac à huiles essentielles et le couvercle supérieur pour faire fonctionner l'appareil.

⚠ Remarque: n'utiliser que des huiles essentielles adaptées aux humidificateurs à ultrasons. D'autres types d'huiles essentielles peuvent endommager l'appareil. N'utilisez jamais l'aromathérapie à base d'huiles.

Panneau de commande / télécommande

Le panneau de commande est intégré à la télécommande. Nous vous recommandons de replacer la télécommande dans son support sur l'appareil lorsqu'elle n'est pas utilisée. Les piles de la télécommande sont incluses (type : AAA). Veuillez noter la polarité lors de l'insertion des piles.

4. Maintenance

⚠ Important: assurez-vous de retirer le cordon d'alimentation de la prise avant de procéder à la maintenance.

⚠ Important: ne pas faire tremper ou immerger la fiche d'alimentation ou l'appareil dans l'eau.



nettoyer le réservoir d'eau tous les 3 jours

Indicateur de remplacement

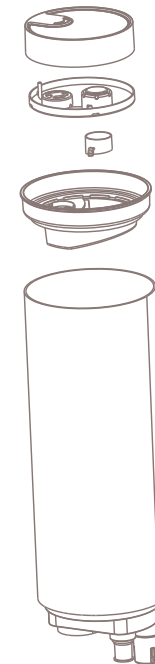
Afin de préserver les meilleures performances de l'humidificateur, il convient de nettoyer tous les 3 jours l'eau dans les réservoirs d'eau et de nettoyer le réservoir d'eau lui-même.

Nettoyage

- Veuillez utiliser un chiffon doux pour essuyer la poussière sur l'extérieur de l'appareil. Si la surface est trop sale, il est préférable de l'essuyer avec un chiffon humide imbibé de détergent neutre.
- Ne pas utiliser de solvants chimiques, d'essence, de poudre de polissage, etc. pour nettoyer la surface de l'appareil.

Ne pas placer l'appareil ni aucune de ses pièces dans le lave-vaisselle pour le nettoyer. Il est préférable de le nettoyer avec de l'eau propre.

- Veuillez utiliser un chiffon doux pour nettoyer les pièces (voir illustration) régulièrement. Si le nettoyage régulier ne permet pas d'enlever le tartre à l'intérieur du réservoir d'eau, mélangez du vinaigre de citron avec de l'eau tiède (rapport eau / vinaigre de citron : 10 ml pour 1 g). Versez le tout dans un grand récipient et laissez-le tremper pendant 5 minutes. Ensuite, frottez doucement la surface entartrée avec une brosse douce jusqu'à ce que le tartre soit parti.



Stockage

Lorsque vous n'utilisez pas l'appareil pendant une période prolongée, nettoyez tous les composants, séchez-les, rangez-les dans la boîte d'origine et stockez le tout dans un endroit sec.

Pièces de rechange

Les pièces de rechange et les accessoires peuvent être commandés au point de vente ou chez un distributeur local

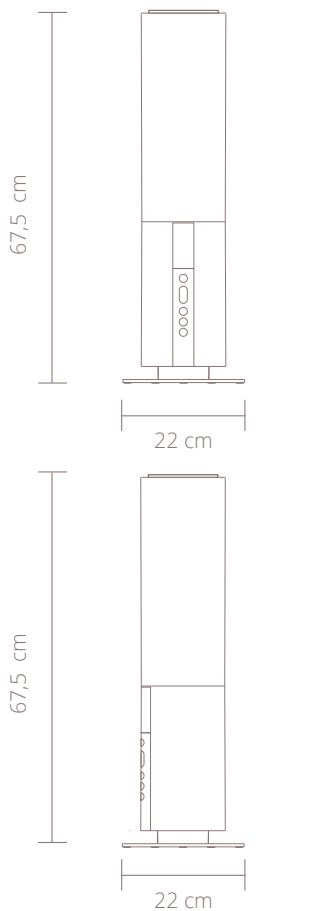
Élimination

La directive européenne 2012/19/CE relative aux déchets d'équipements électriques et électroniques (DEEE) exige que les appareils ménagers électriques ne soient pas jetés avec les déchets ménagers ordinaires. Les appareils en fin de vie doivent être collectés séparément pour optimiser la récupération et le recyclage des matériaux qu'ils contiennent et réduire leur effet sur la santé humaine et l'environnement. Le symbole avec la poubelle et la croix sur les produits vous rappelle à votre obligation d'assurer la collecte séparée de vos appareils. Les consommateurs doivent contacter leurs autorités locales ou revendeur pour obtenir des informations concernant l'élimination correcte de leur ancien appareil.



L'humidificateur
puissant et
intelligent pour
un encombrement

5. Caractéristiques techniques



Poids:
2 kg



Consommation électrique:
28W



Capacité du réservoir d'eau:
5L



Surface effective:
40m²



Sortie de brume (max.)
350ml/h



Durée de fonctionnement max.:
25h



Longueur du cordon d'alimentation:
1,5m



Matériaux principaux:
ABS, PP



Réglages de sortie:
3



N° de modèle:
DXHU10/11

L'apparence et les spécifications de l'appareil peuvent être modifiées sans préavis.

6. FAQ

Q. L'indicateur d'alimentation électrique / d'eau ne s'allume pas et la brume ne sort pas.

R. Insérer la fiche d'alimentation complètement dans la prise ou vérifier s'il y a une panne de courant.

Q. L'indicateur d'alimentation électrique / d'eau est rouge et l'alimentation est éteinte, même en appuyant sur le bouton d'alimentation.

R. Il n'y a pas assez d'eau. Veuillez remplir le réservoir d'eau avec de l'eau.

Q. Des bruits étranges sont émis par l'appareil en cours de fonctionnement.

R. Un bruit de « gargouillis » est émis par le corps de l'appareil. Ce bruit correspond à l'eau passant du réservoir d'eau au corps de l'appareil et ne signifie pas que l'appareil est défectueux.

Q. Un bruit étrange est émis par le réservoir d'eau retiré.

R. Lorsque vous retirez un réservoir d'eau vide ou presque vide du corps de l'appareil, on peut entendre un son inhabituel provenant du réservoir d'eau. Ce bruit est lié à la pression dans le réservoir d'eau et ne signifie pas que

l'appareil est défectueux.

Q. On ne voit pas de brume même lorsque l'appareil est alimenté.

R. - L'affichage d'alimentation électrique / en eau clignote-t-il en rouge ? Il n'y a pas assez d'eau, si l'affichage clignote en rouge. Veuillez remplir le réservoir d'eau avec de l'eau.
- La brume peut ne pas être visible en fonction de l'équilibre entre la température ambiante et l'humidité.

Q. Le sol est mouillé / il y a une fuite d'eau.

R. Le sol est-il mouillé en raison d'une humidité excessive ?
- Des sols mouillés peuvent être provoqués par la brume en raison de l'environnement de la pièce et des conditions d'utilisation. Veuillez régler l'intensité de brume au minimum ou sur mode AUTO.

Gracias por haber escogido Duux.

¡Nos complace que haya decidido leer las instrucciones de su nuevo humidificador de aire Duux! Muchos usuarios se toman las instrucciones a la ligera y tratan de arreglárselas solos. Sin embargo, los estudios nos indican que quienes leen las instrucciones se ponen al corriente de forma más rápida y eficaz que los que lo intentan con el sistema de prueba y error.

En Duux creemos en la importancia de un ambiente cómodo y saludable. Mejorar su bienestar diseñando productos atractivos, funcionales y eficaces es la pasión que nos mueve cada día. Con nuestra gama de productos innovadores para el tratamiento del aire deseamos ofrecerle la mejor calidad posible de aire interior.

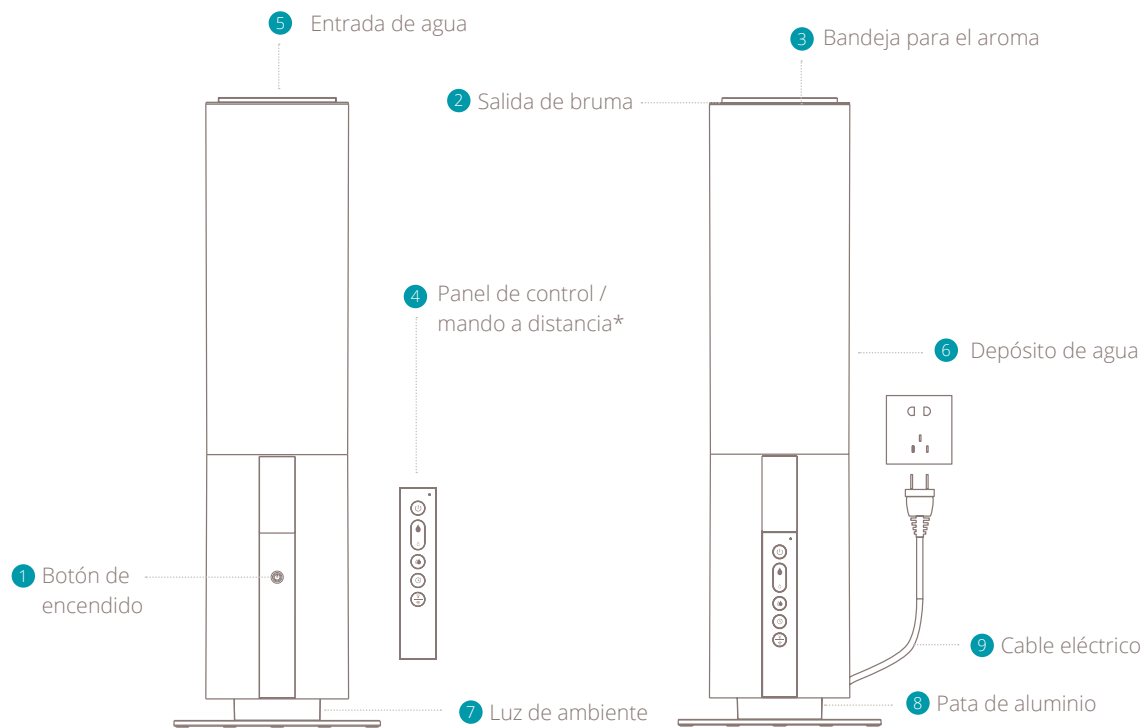
¿Piel seca? ¿Garganta seca? ¿Dolores de cabeza habituales? Hay muchas posibilidades de que el aire su casa esté demasiado seco. Le presentamos Beam, el versátil humidificador de alta capacidad con mínimo impacto ambiental. La gran capacidad de agua de su depósito de 5 litros y su alto caudal de bruma, de 350 ml/h, garantizan un rendimiento óptimo. El llenado de Beam es fácil gracias a su capacidad de llenado por la parte superior. Y su higrostat y su sensor de temperatura integrados hacen maravillas en lo que se refiere a la facilidad de uso.

Lea el manual cuidadosamente para sacar el máximo provecho a su humidificador ultrasónico Beam.

Índice

- | | |
|-------------------------------------|-----------|
| 1. Descripción general del producto | 52 |
| 2. Instalación y uso | 53 |
| 3. Funciones | 56 |
| 4. Mantenimiento | 61 |
| 5. Especificaciones técnicas | 64 |
| 6. Preguntas frecuentes | 65 |

1. Descripción general del producto



* = Para usar el mando a distancia, levántelo de la base tirando de él suavemente desde la parte inferior

2. Instalación y uso

⚠ Nota: Antes de usar el producto, consulte las instrucciones mostradas a continuación y la ficha de advertencias incluida por separado.

Advertencias generales

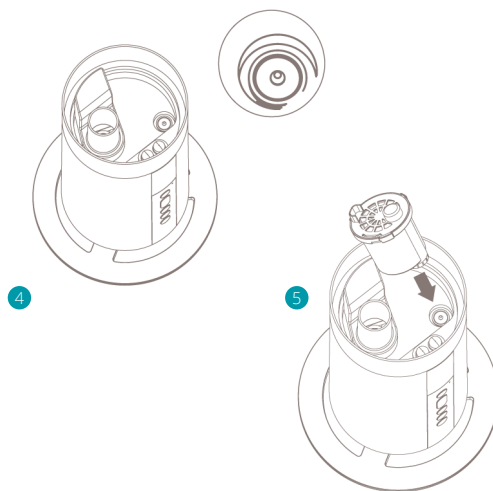
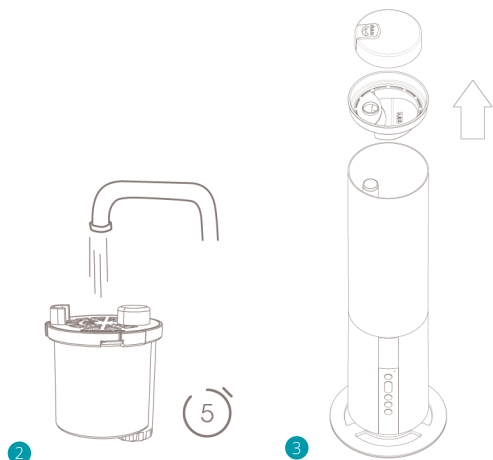
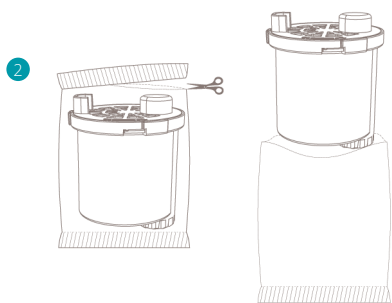
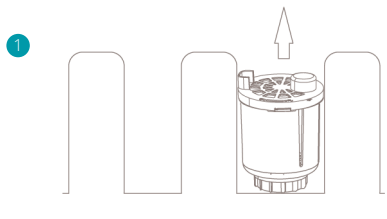
- Antes de usar el dispositivo, compruebe el voltaje indicado en la etiqueta. Conecte el dispositivo únicamente a enchufes que se correspondan con su voltaje. Si usted no tiene la seguridad de que sus conexiones cumplan con los requisitos, consulte a un electricista o a su proveedor de electricidad.
- No desmonte ni repare el aparato sin autorización.
- Si el cable eléctrico está dañado, debe reemplazarlo el fabricante o su departamento de mantenimiento, para evitar peligros. No lo haga usted mismo;
- Si se produce una situación anormal, desenchufe el cable eléctrico inmediatamente; debe ser reparado por el fabricante o su departamento de mantenimiento.
- No cubra la entrada de aire y la salida de bruma con elementos como toallas.
- Esto no es un juguete. Para evitar accidentes, manténgalo lejos de bebés y niños. No lo ponga en una cuna, sillita o parque para bebés. No deje a los niños y bebés jugar con el dispositivo ni

usarlo.

- No use el dispositivo sobre una mesa inclinada; debe colocarse sobre una superficie plana y estable.
- No añada sabores o sustancias similares producida o supervisada por la empresa al depósito de agua y al depósito de agua del dispositivo; Puede usar la bandeja de aroma designada que se encuentra debajo de la tapa para añadir aromaterapia.
- No lo use en la cocina. Manténgalo lejos de fuentes de calor, evite la luz solar directa y mantenga muebles y otros electrodomésticos a 2 metros de la humedad.
- Limpie de forma regular la suciedad del enchufe del cable eléctrico;
- Antes de limpiarlo o moverlo, apáguelo y desenchufe el cable eléctrico;
- Al tirar del enchufe, sujete el enchufe en vez de tirar el cable eléctrico;
- No toque el agua ni las piezas del producto mientras esté encendido;
- Tenga en cuenta que altos niveles de humedad pueden favorecer el crecimiento de organismos biológicos en el ambiente.
- No permita que la zona alrededor del humidificador se humedezca o moje. Si hay humedad, baje la potencia del humidificador. Si no se puede bajar el volumen de salida del

Instalación del filtro

- 1 Saque el filtro de la caja
- 2 Retire la bolsa de plástico del soporte del filtro y enjuáguelo 5 minutos antes del primer uso
- 3 Levante la tapa y la bandeja de entrada de agua para abrir el depósito de agua
- 4 Coloque el portafiltro en la posición designada
- 5 Empuje y gire suavemente para fijar el portafiltro



humidificador, utilícelo de forma intermitente. No permita que se humedezcan materiales absorbentes, como alfombras, cortinas o manteles.

- No deje nunca agua en el depósito cuando el aparato no esté en uso.
- Vacíe y limpie el humidificador antes de guardarlo. Limpie el humidificador antes del siguiente uso.

⚠ Advertencia: Los microorganismos que pueden estar presentes en el agua o en el ambiente donde se utiliza o almacena el aparato, pueden crecer en el depósito de agua y ser expulsados al aire provocando riesgos muy graves para la salud cuando no se renueva el agua del depósito. Renueva el agua cada 3 días.

Instalación del producto

- 1 Desempaquete el dispositivo y retire los materiales de embalaje del mismo. Guarde los materiales de embalaje en previsión de un posible transporte en el futuro.
- 2 Enchufe el cable eléctrico en un enchufe de pared. Oirá un pitido y el indicador de encendido parpadeará.
- 3 Apriete el botón de encendido para encender el dispositivo y la pantalla se iluminará.

Llenar el depósito de agua

⚠ Nota: Retire siempre la tapa para llenar el depósito de agua. Use agua del grifo limpia o agua destilada para evitar las bacterias y la formación de sarro dentro del depósito.

⚠ Advertencia: Llene el depósito únicamente con agua fría o tibia. El agua caliente o en ebullición dañará el dispositivo.

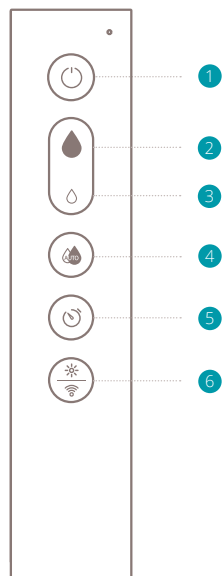
Añada agua al depósito antes de usar el dispositivo, de acuerdo con los pasos que se indican a continuación:

- 1 Retire el enchufe y saque la tapa de la parte superior.
- 2 Llene el depósito con agua usando una regadera o un envase (no supere la cubierta transparente de la entrada de agua).
- 3 Vuelva a colocar la cubierta superior y asegúrese de que encaje correctamente. Ya puede encender el dispositivo.

⚠ Nota: Al usar el dispositivo por primera vez, el agua puede tener manchas y algo de olor. Esto es algo normal y no es nocivo para su salud.

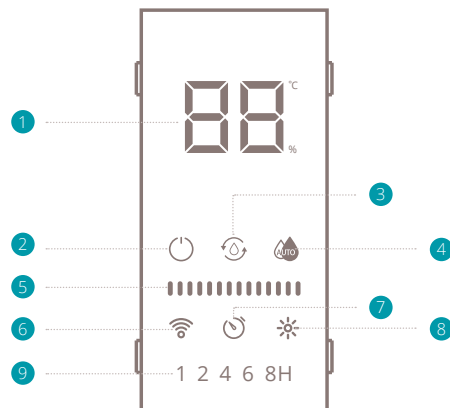
⚠ Advertencia: no utilice nunca otro líquido que no sea agua. Utilice el aroma solo en la bandeja especial para este fin.

3. Funciones



Panel de control / mando a distancia

- 1 Encendido
- 2 Aumentar el caudal de bruma
- 3 Disminuir el caudal de bruma
- 4 Modo automático
- 5 Temporizador
- 6 Luz de ambiente / Modo wifi



Pantalla

- 1 Pantalla de temperatura (°C) / humedad (%)
- 2 Indicador de encendido
- 3 Indicador de relleno de agua
- 4 Indicador de modo automático
- 5 Barras de nivel de caudal de bruma
- 6 Indicador de wifi
- 7 Indicador de temporizador
- 8 Indicador de luz de ambiente
- 9 Indicador de hora(s) del temporizador

Encendido

Presione el botón de encendido para encender el dispositivo. El indicador correspondiente se iluminará en la pantalla y la luz de ambiente se encenderá. El indicador de wifi parpadeará para buscar dispositivos con los que emparejarse. La pantalla de monitorización mostrará la temperatura y la humedad reales cada 5 segundos. Presione otra vez para apagar el dispositivo (el dispositivo se quedará en modo en espera hasta que se retire el enchufe de la toma de corriente). La configuración de humedad predeterminada es de nivel MEDIO.

Nota: puede también encender el dispositivo con el botón táctil situado detrás del panel de control / mando a distancia.

Aumentar / disminuir el caudal de bruma

Presione el botón para aumentar el caudal de bruma. Las barras de nivel del caudal de bruma cambiarán conforme vaya aumentando. Presione el botón para disminuir el caudal de bruma. Hay tres niveles de caudal de bruma:
 BAJO , MEDIO ,
 ALTO

Nota: El ajuste del caudal de bruma no seguirá el ciclo al presionar o varias veces.

Automodus

Presione al botón para activar el higróstato autorregulado. La intensidad del caudal de bruma se autorregulará de acuerdo con la humedad ambiental relativa. Presione varias veces para cambiar la humedad deseada en el siguiente orden: 40 % > 45 % > 50 % > 55 % > 60 % > 65 % > 70 % > 75 % > 80 % > 85 % > 90 % > HUMEDAD REAL > 40 % > 50 % > ...y así sucesivamente. Cada vez que presione el botón la incrementará en un 5 %. Cuando suelte el botón, la humedad seleccionada parpadeará durante 3 segundos para confirmar su elección.

Cuando el higróstato se ajuste por encima de la humedad real, el dispositivo funcionará a gran velocidad hasta alcanzar la humedad deseada. Cuando el higróstato se ajuste por debajo de la humedad real, el dispositivo no humidificará. Después de ajustar el higróstato, la pantalla mostrará la humedad ambiental relativa.


Temporizador

Presione el botón para activar la función de temporizador. Con cada toque el temporizador aumentará una hora en la secuencia siguiente: 1 h > 2 h > 4 h > 6 h > 8 h > APAGADO. Una vez que se active el temporizador, el dispositivo se apagará automáticamente cuando se complete el tiempo fijado.

Luz de ambiente

Presione el botón  para activar la luz de ambiente. Presione de nuevo para desactivar.

Modo wifi

Presione y mantenga presionado el botón  durante 5 segundos para activar el modo wifi. El indicador desaparecerá en seguida y después parpadeará rápidamente (mientras busca dispositivos para emparejarse)

Funcionamiento del wifi y de la aplicación

Escanee el código QR que se muestra a continuación para descargar la aplicación Duux o busque DUUX APP en App Store o en Google Play Store. Una vez instalada, introduzca su dirección de correo electrónico y complete el registro.

APP STORE



PLAY STORE



Conectarse al wifi

- 1 Cuando se haya registrado, haga clic en «añadir dispositivo duux» en la pantalla principal, o use el botón «+» situado en la esquina superior derecha para añadir un nuevo dispositivo.
- 2 Busque «Beam» y presione para continuar
- 3 Conéctese a su red wifi preferida e introduzca la clave correspondiente
- 4 Siga las instrucciones indicadas en la aplicación para completar el proceso de emparejamiento.

Iconos de la pantalla

Encendido

Cuando el indicador está encendido, el dispositivo está encendido. Si parpadea, el dispositivo está en modo en espera.

Indicador de reposición de agua

Cuando el indicador parpadea en rojo, significa que hay poca agua. Retire la cubierta superior y añada agua.

Modo automático

Cuando esta luz de indicador está encendida, significa que el humidificador está funcionando en modo AUTOMÁTICO.


Barras de nivel de caudal de bruma

La cantidad de barras determina la intensidad del caudal de bruma ajustada en modo de operación manual. Hay tres niveles de caudal de bruma:

BAJO  , MEDIO 

ALTO 

Indicador de wifi

Cuando la luz de este indicador parpadea, significa que está inactivo y en busca de un dispositivo con el que emparejarse. Si aparece encendida de forma constante, significa que el dispositivo está conectado. Presione y mantenga presionado el botón  durante 5 segundos para cancelar la operación de emparejamiento.

Indicador de temporizador

Cuando el indicador está encendido, significa que usted ha activado el modo temporizador. A continuación, verá el número de horas (1, 2, 4, 6 u 8H) en las que está activado el temporizador.

Brillo de la pantalla

La pantalla se atenuará automáticamente después del último toque o presión.

Escasez de agua

Si no queda agua en el depósito, sonará un pitido tres veces, y el icono de escasez de agua volverá automáticamente al estado en espera después de parpadear 50 veces.

Bandeja/esponja para el aroma

Debajo de la cubierta superior encontrará una pequeña asa que esconde la bandeja para el aroma. Eleve el asa para liberar la bandeja y deposite unas cuantas gotas de aromaterapia sobre la esponja. Vuelva a colocar la bandeja de aroma y la cubierta superior para que continúe el funcionamiento.

Nota: Use solamente aromaterapia que sea adecuada para humidificadores ultrasónicos. Otros tipos de aromaterapia pueden dañar el dispositivo. Absténgase de utilizar aromaterapia con base aceitosa en todo momento.

Panel de control / mando a distancia

El panel de control está integrado en el mando a distancia. Si no se está usando, recomendamos colocar de nuevo el mando a distancia en su base en el dispositivo. Las pilas del mando a distancia están incluidas (tipo AAA). Tenga en cuenta la polaridad a la hora de insertarlas.

4. Mantenimiento

Importante: Asegúrese de retirar el enchufe de la toma de corriente antes de llevar a cabo el mantenimiento.

Importante: No moje ni sumerja en agua el enchufe ni el aparato.



Cambie el agua cada 3 días.

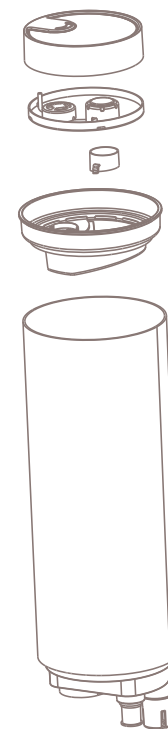
Reposición de agua

Para mantener el mejor rendimiento del humidificador, el agua y el propio depósito deben limpiarse regularmente;

Limpieza

- Use un paño suave para limpiar el polvo del cuerpo del aparato; Si la superficie está demasiado sucia, es mejor limpiarla con un paño húmedo mezclado con detergente neutro.
- No use disolventes químicos, gasolina, polvo para pulido, etc. para limpiar la superficie del dispositivo. No coloque el dispositivo ni ninguna de sus partes en el lavavajillas. Es mejor limpiarlo con agua limpia.
- Use un paño suave para limpiar las piezas (vea la imagen) con regularidad. Si una limpieza periódica

no logra quitar el sarro del interior del depósito de agua, mezcle una pequeña cantidad de vinagre de limón con agua tibia (proporción de agua y vinagre: 10 ml : 1 g). Vierta todo en un recipiente grande y deje remojar durante 5 minutos. Después, restriegue la superficie con sarro usando un cepillo suave, hasta quitarlo.



Almacenamiento

Cuando el aparato no esté en uso durante un largo periodo de tiempo, limpie todos los componentes, séquelos, póngalos en su caja original y guárdelos en un lugar seco.

Piezas de repuesto

Puede solicitar piezas de repuesto y accesorios al punto de compra o a su distribuidor local.

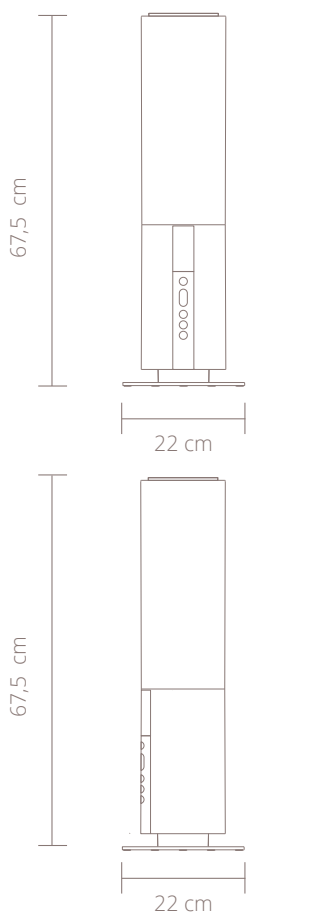
Eliminación

La directiva europea 2012/19/UE sobre residuos de aparatos eléctricos y electrónicos (RAEE) exige que los aparatos eléctricos domésticos antiguos no deben eliminarse en la recogida de residuos municipal normal sin clasificar. Los aparatos antiguos deben recogerse de forma separada para optimizar la recuperación y el reciclaje de los materiales y reducir el impacto sobre la salud humana y el medioambiente. El símbolo del “cubo de basura” tachado en el producto le recuerda su obligación de que, cuando se deshaga del aparato, debe recogerse de forma separada. Los consumidores deben ponerse en contacto con las autoridades locales o con el distribuidor para obtener información respecto a la correcta eliminación del aparato antiguo.



El humidificador
inteligente y
potente con
mínimo impacto
ambiental

5. Especificaciones técnicas



Peso:
2 kg



Consumo de energía:
28W



Capacidad del depósito de agua:
5L



Área de alcance efectiva:
40m²



Caudal de bruma (máx.):
350ml/u



Tiempo de funcionamiento máx:
25u



Longitud del cable eléctrico:
1,5m



Principales materiales de fabricación:
ABS, PP



Ajustes de caudal:
3



Modelo n.º:
DXHU10/11

El aspecto y las especificaciones del dispositivo pueden cambiar sin previo aviso.

6. Preguntas frecuentes

P. El indicador de corriente/agua no está encendido y no sale bruma.

R. Inserte el enchufe completamente en la toma de corriente o compruebe si hay un corte de fluido eléctrico.

P. El indicador de corriente/agua está en rojo y el aparato está apagado, incluso aunque apriete el botón.

R. No hay suficiente agua. Llene el depósito con agua

P. Al usar el producto se oyen ruidos extraños.

R. Del cuerpo principal sale un sonido de «burbujeo». Es el sonido del agua cuando pasa desde el depósito de agua al cuerpo principal y no significa que el producto sea defectuoso.

P. Puede oírse un ruido extraño procedente del depósito de agua extraído.

R. Cuando extrae un depósito de agua vacío o casi vacío del cuerpo principal, puede oírse un sonido no normal procedente del depósito de agua. Este sonido está relacionado con la presión del interior del depósito de agua y no significa que el producto sea defectuoso.

P. No se ve bruma aunque el aparato esté conectado.

R. - ¿La pantalla de corriente/agua está en rojo y parpadeando? No hay suficiente agua, si está parpadeando en rojo. Llene con agua el depósito de agua.
- La bruma puede no ser visible dependiendo de la relación entre la temperatura y la humedad de la habitación.

P. El suelo está húmedo / Hay una fuga de agua.

R. ¿El suelo está húmedo debido a una humedad excesiva?
- Puede darse el caso de suelos húmedos a causa de la bruma debido al ambiente de la habitación y las condiciones de uso. Ajuste la cantidad de bruma al caudal mínimo o póngala en modo AUTOMÁTICO.

Danke, dass du dich für Duux entschieden hast.

Wir freuen uns sehr darüber, dass du dir die Anleitung für deinen neuen Duux Luftbefeuchter durchlesen willst! Viele Nutzer verzichten auf das Leseder Anleitung und versuchen, selbst herauszufinden, wie das Produkt verwendet wird. Studien haben allerdings gezeigt, dass Menschen, die Anleitungen lesen, ein Produkt schneller und besser nutzen können, als diejenigen, die nach dem Grundsatz „Versuch macht klug“ vorgehen.

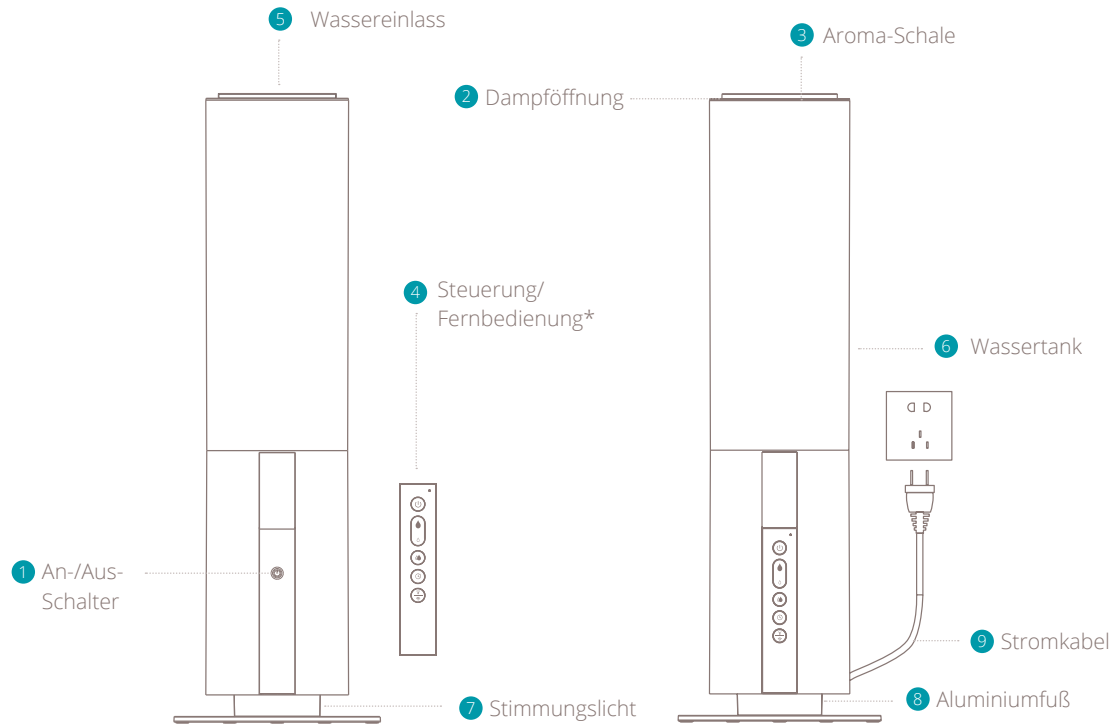
Bei Duux glauben wir an die Bedeutung einer komfortablen und gesunden Wohnumgebung. Dein Wohlbefinden durch die Entwicklung ansprechender, funktionaler und effektiver Produkte zu verbessern: das ist die Leidenschaft, die uns jeden Tag antreibt. Mit unserem Sortiment innovativer Produkte zur Luftbehandlung wollen wir dir eine Raumluft von bestmöglicher Qualität bieten.

Trockene Haut, trockener Hals oder immer wieder Kopfschmerzen? Möglicherweise ist die Luft bei dir Zuhause zu trocken. Dürfen wir vorstellen: Beam, der vielseitige Luftbefeuchter mit hohem Fassungsvermögen, der nur ganz wenig Platz braucht. Sein großer Wassertank von 5 Litern und der hohe Dampfausstoß von 350 ml/h sorgen für eine optimale Leistung. Dank der Einfüllöffnung oben ist die Befüllung des Beam ganz einfach. Dabei machen der eingebaute Feuchtigkeitsregler und der eingebaute Temperatursensor die Nutzung wirklich zum Kinderspiel.

Inhaltsverzeichnis

1. Produktübersicht	68
2. Installation & Verwendung	69
3. Funktionen	72
4. Wartung	77
5. Technische Angaben	80
6. FAQ	81

1. Produktübersicht



* = Zur Nutzung der Fernbedienung nimmst du diese bitte aus der Halterung, indem du sie vorsichtig von unten herausziehst

2. Installation & Verwendung

⚠ Achtung: Bitte lies dir vor der Verwendung des Produkts diese Anleitung und das separat enthaltene Blatt mit den Warnhinweisen durch.

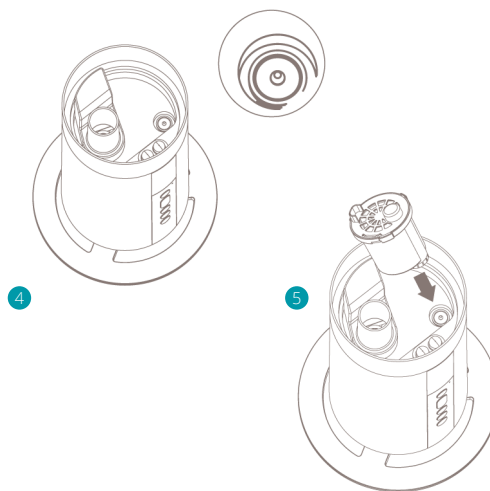
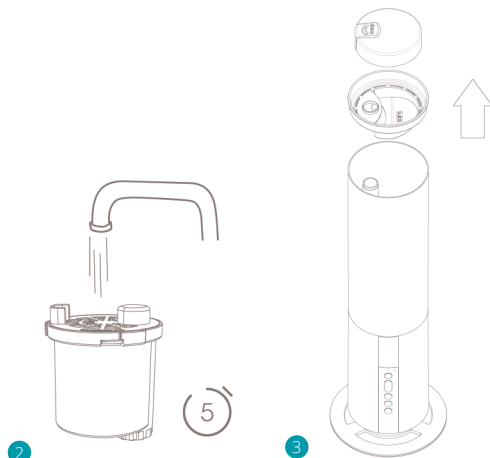
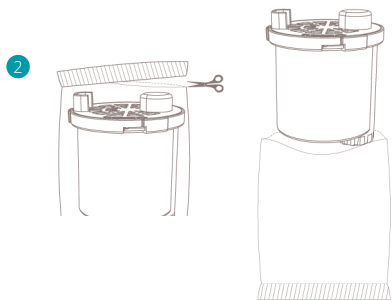
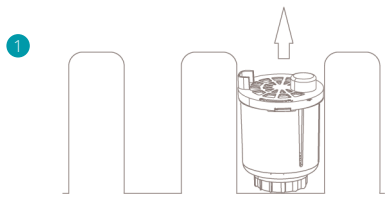
Allgemeine Vorsichtsmaßnahmen

- Bitte überprüfe vor der Verwendung die auf dem Geräteetikett angegebene Spannung. Das Gerät darf nur an Steckdosen angeschlossen werden, die der Gerätespannung entsprechen. Wenn du unsicher bist, ob deine Steckdose den Anforderungen entspricht, wende dich an einen Elektriker oder deinen Stromanbieter.
- Wenn das Stromkabel beschädigt ist, muss es zur Vermeidung von Gefahren vom Hersteller oder dessen Kundendienst-Abteilung ausgetauscht werden, diese Arbeiten darfst du nicht selbst durchführen;
- Wenn eine Unregelmäßigkeit auftritt, ziehe bitte sofort den Netzstecker, das Gerät muss vom Hersteller oder dessen Kundendienst-Abteilung repariert werden.
- Decke die Luftansaugung und die Dampföffnung nicht mit Gegenständen wie z.B. Handtüchern, ab;
- Das Produkt ist kein Spielzeug. Um Unfälle zu vermeiden, achte darauf, Babys und kleine Kinder vom Gerät fernzuhalten. Stelle das Produkt nicht in Kinderbetten, Kinderwagen oder Laufställen

- auf. Lasse nicht zu, dass Babys und Kinder mit dem Gerät spielen oder es bedienen;
- Benutze das Gerät nicht auf einem schräg stehenden Tisch, es sollte auf einer flachen und stabilen Unterlage stehen;
- Füge keine Düfte oder andere Substanzen, die vom Unternehmen produziert oder überwacht wurden, zum Wassertank und zum Wassertank im Gerät hinzu. Die Aromaschale unter dem Deckel kann für die Zugabe von Aromatherapie-Zusätzen verwendet werden.
- Verwende das Gerät nicht in der Küche. Achte auf Abstand zu Heizquellen, vermeide direktes Sonnenlicht und halte mit der Feuchtigkeit mindestens 2 Meter Abstand zu Möbeln und anderen Haushaltsgeräten.
- Wische regelmäßig den Staub vom Stecker ab;
- Bevor du das Gerät reinigst oder umstellst, schalte es bitte aus und zieh zusätzlich den Netzstecker;
- Um den Stecker herauszuziehen, hältst du bitte den Stecker fest und ziehst nicht am Stromkabel;
- Berühre das Wasser oder die Produktbestandteile nicht, während das Gerät eingeschaltet ist;
- Beachte, dass eine hohe Luftfeuchtigkeit das Wachstum von biologischen Organismen in der Umgebung fördern kann.
- Achte darauf, dass der Bereich um den Luftbefeuchter nicht feucht oder nass wird. Wenn Feuchtigkeit auftritt, regle die Leistung des Befeuchters herunter. Wenn sich die

Einsetzen des Filters

- 1 Nehmen Sie den Filter aus dem Karton
- 2 Entfernen Sie den Plastikbeutel vom Filterhalter und spülen Sie ihn 5 Minuten vor dem ersten Gebrauch
- 3 Heben Sie den Deckel und die Wasserzulaufschale an, um den Wassertank zu öffnen
- 4 Setzen Sie den Filterhalter an der vorgesehenen Stelle ein
- 5 Drücken und drehen Sie leicht, um den Filterhalter zu fixieren



Verdunstungsleistung des Befeuchters nicht herunterregeln lässt, kannst du den Befeuchter mit Unterbrechungen verwenden. Sorge dafür, dass saugfähige Materialien, wie z. B. Teppiche, Vorhänge, Gardinen oder Tischtücher, nicht feucht werden.

- Lasse niemals Wasser im Vorratsbehälter, wenn das Gerät nicht benutzt wird.
- Entleere und reinige den Luftbefeuchter vor der Lagerung. Reinige den Luftbefeuchter vor dem nächsten Einsatz.

⚠ Achtung: Wenn im Wasser oder in der Umgebung, in der das Gerät verwendet oder gelagert wird, Mikroorganismen vorhanden sind, können sie im Wassertank gedeihen und in die Luft geblasen werden. Dadurch kann es zu sehr ernststen Gesundheitsrisiken kommen, wenn das Wasser im Tank nicht erneuert wird. Wasser alle 3 Tage erneuern.

Installation des Produktes

- 1 Packe das Gerät aus und entferne das Verpackungsmaterial vom Gerät. Bewahre das Verpackungsmaterial für einen möglichen zukünftigen Transport auf.
- 2 Schließe das Stromkabel an einer Steckdose an. Du hörst einen Ton und die Power-Anzeige blinkt.
- 3 Drücke auf den An-/Aus-Schalter, um das Gerät einzuschalten: Das Display leuchtet auf.

Den Tank füllen

⚠ Achtung: Ziehe zum Füllen des Wassertanks immer den Netzstecker. Nach Möglichkeit verwendest du sauberes Leitungs- oder destilliertes Wasser, um die Bildung von Bakterien und Kalk im Wassertank zu verhindern.

⚠ Warnung: Nur mit kaltem oder lauwarmem Wasser befüllen.

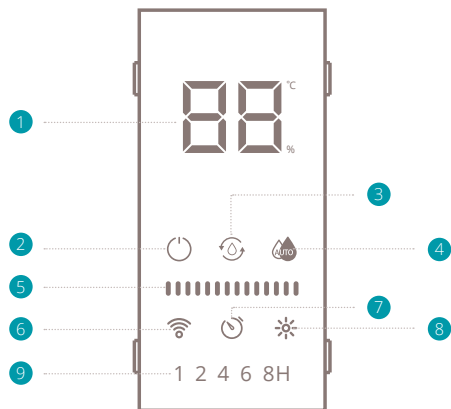
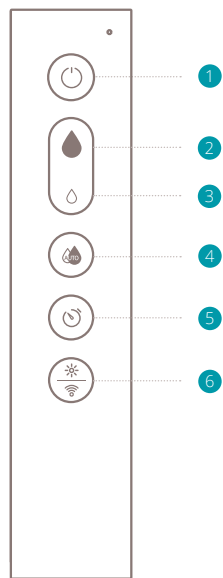
Bitte fülle den Tank vor der Verwendung gemäß folgender Anleitung mit Wasser auf:

- 1 Ziehe den Netzstecker und nimm den Deckel oben ab;
- 2 Fülle Wasser mithilfe einer Gießkanne oder eines Behälters in den Tank (gieße nicht mehr Wasser hinein, als bis zum transparenten Wassereinflussdeckel)
- 3 Mache den Deckel wieder zu und vergewissere dich, dass er ordentlich schließt. Jetzt kannst du das Gerät einschalten.

⚠ Achtung: Bei der erstmaligen Benutzung des Geräts kann es zu einer schwachen Geruchsbildung und Verärbung des Wassers kommen. Das ist ganz normal und nicht gesundheitsschädlich.

⚠ Warnung: Verwende niemals eine andere Flüssigkeit als Wasser. Verwende Aromen nur in der dafür vorgesehenen Aromaschale.

3. Funktionen



Steuerung/Fernbedienung

- 1 Leistung
- 2 Mehr Dampfausstoß
- 3 Weniger Dampfausstoß
- 4 Auto-Betrieb
- 5 Timer
- 6 Stimmungslicht/ WLAN-Modus

Anzeige

- 1 Temperatur (°C) / Feuchtigkeit (%) Anzeige
- 2 Betriebsanzeige
- 3 Wasserstandsanzeige nachfüllen
- 4 Anzeige Auto-Betrieb
- 5 Stufenanzeige Dampfausstoß
- 6 WLAN-Anzeige
- 7 Timer-Anzeige
- 8 Anzeige Stimmungslicht
- 9 Stundenanzeige Timer

Ein/Aus

Drücke auf den Ein-/Aus-Schalter, um das Gerät einzuschalten. Die entsprechende Anzeige auf dem Display leuchtet auf, und das Stimmungslicht wird eingeschaltet. Die WLAN-Anzeige zeigt durch Blinken an, dass eine Verbindung hergestellt wird. Die Kontrollanzeige informiert alle 5 Sekunden über die tatsächliche Temperatur und Luftfeuchtigkeit. Drücke den Schalter erneut, um das Gerät abzuschalten (das Gerät bleibt im Standby-Modus bis der Stecker aus der Steckdose gezogen wird). Standardmäßig ist der Feuchtigkeitsausstoß auf MEDIUM eingestellt.

⚠ Hinweis: Du kannst das Gerät auch über den Schalter am Gerät einschalten, der sich hinter dem Bedienfeld/ Fernbedienung befindet.

Mehr/Weniger Dampfausstoß

Drücke den Knopf, um den Dampfausstoß zu steigern. Die Stufenanzeige wird entsprechend angepasst. Wenn du diesen Knopf drückst, wird der Dampfausstoß verringert. Es gibt drei Stufen zum Dampfausstoß: LOW , MEDIUM, HIGH


⚠ Hinweis: Die Einstellung zum Dampfausstoß wird nicht geändert, wenn die Taste or mehrfach gedrückt wird.

Auto-Betrieb


Drücke auf den Knopf, um die automatische Steuerung über den Feuchtigkeitsregler zu aktivieren. Jetzt wird der Dampfausstoß automatisch anhand der relativen Luftfeuchtigkeit in der Umgebung geregelt. Du kannst mehrfach auf diesen Knopf drücken, um die gewünschte Feuchtigkeit in folgender Reihenfolge anzupassen: 40 % > 45 % > 50 % > 55 % > 60 % > 65 % > 70 % > 75 % > 80 % > 85 % > 90 % > TATSÄCHLICHE FEUCHTIGKEIT > 40 % > 50 % > ... und so weiter. Mit jedem Drücken wird die Einstellung um 5 % erhöht. Nach dem Loslassen blinkt die gewählte Feuchtigkeit zur Bestätigung für 3 Sekunden.

Wenn der Feuchtigkeitsregler auf einen höheren Wert als die tatsächliche Luftfeuchtigkeit eingestellt wird, läuft das Gerät so lange mit hoher Geschwindigkeit, bis die gewünschte Feuchtigkeit erreicht wurde. Wenn der Feuchtigkeitsregler auf einen niedrigeren Wert als die tatsächliche Luftfeuchtigkeit eingestellt wird, sorgt das Gerät nicht für eine Luftbefeuchtung. Nach der Einstellung des Feuchtigkeitsreglers zeigt das Display die relative Luftfeuchtigkeit in der Umgebung an.


Timer

Drücke auf  das Symbol, um die Timer-Einstellung zu aktivieren. Jedes Mal, wenn du die Timer-Symbol drückst, veränderst du die eingestellte Zeit nach folgendem Schema: 1h > 2h > 4h > 6h > 8h > AUS.

Stimmungslicht

Drücke auf den  Knopf, um das Stimmungslicht einzuschalten. Drücke erneut auf den Schalter, um es wieder auszuschalten.

WLAN-Modus

Halte  den Knopf für 5 Sekunden gedrückt, um den WLAN-Modus zu aktivieren. Die Anzeige wird kurz verschwinden und dann schnell blinken (Suche nach einer Verbindung).

Betrieb über WLAN und App

Scanne folgenden QR-Code, um die Duux App herunterzuladen oder suche im AppStore oder bei Google Play nach der Duux App und lade sie dort herunter. Nach der Installation gibst du deine E-Mail-Adresse ein und schließt die Registrierung ab.

Mit WLAN verbinden

- 1 Nach der Registrierung klickst du auf „add duux device“ in der zentralen Ansicht oder du nutzt die Schaltfläche „+“ in der rechten oberen Ecke, um ein neues Gerät hinzuzufügen,
- 2 Suche nach „Beam“ und drücken Sie, um fortzufahren
- 3 Stelle eine Verbindung mit deinem bevorzugten WLAN-Netzwerk her und gib das entsprechende Passwort ein
- 4 Folge den Anweisungen in der App, um den Verbindungsvorgang abzuschließen.

APP STORE



PLAY STORE



Display-Symbole

Ein/Aus

Wenn die Anzeige leuchtet, ist das Gerät eingeschaltet. Wenn die Anzeige blinkt, befindet sich das Gerät im Standby-Modus




Wasserwechsel- Anzeige

Als dit lampje rood knippert, betekent dit dat het waterpeil te laag is. Verwijder het deksel en vul water bij.

Auto-Betrieb

Wenn die Anzeige leuchtet, läuft der Luftbefeuchter im automatischen Betrieb.

Stufenanzeige Dampfausstoß

Die Anzahl der Balken zeigt an, auf welche Stufe der Dampfausstoß im manuellen Betrieb eingestellt ist. Es gibt drei Stufen zum Dampfausstoß:
LOW,  MEDIUM, 
HIGH 

WLAN-Anzeige

Wenn die Anzeige blinkt, befindet sie sich im Leerlauf und sucht nach einer Verbindung. Wenn die Anzeige durchgehend leuchtet, hat das Gerät eine aktive WLAN-Verbindung. Halte den Knopf für 5 Sekunden gedrückt, um den Verbindungsversuch zu beenden.

Timerindicator

Wenn die Anzeige leuchtet, hast du den Timer eingestellt. Darunter wird die Anzahl der Stunden (1, 2, 4, 6 oder 8) angezeigt, für die der Timer eingestellt wurde.

Display-Helligkeit

Das Display dimmt nach der letzten Berührung automatisch seine Helligkeit.

Zu wenig Wasser

Wenn kein Wasser mehr im Tank ist, ertönt drei Mal ein Piepton und die Anzeige für zu wenig Wasser im Tank kehrt nach 50 Mal Blinken automatisch in die Standby-Einstellung zurück.

Aromaschale/Schwamm

Unter der oberen Abdeckung findest du einen kleinen Griff, hinter dem sich die Aromaschale verbirgt. Zieh den Griff nach oben, um die Schale herauszuholen und gib ein paar Tropfen Aromatherapie auf den Schwamm. Setze die Aromaschale wieder ein und schließe die obere Abdeckung, um das Gerät weiter zu benutzen.

Achtung: Verwende nur Aromatherapie-Zusätze, die für Ultraschall-Luftbefeuchter geeignet sind. Andere Arten von Aromatherapie können zu einer Beschädigung des Geräts führen. Verzichte grundsätzlich auf die Verwendung von Aromatherapien auf Ölbasis.

Steuerung/ Fernbedienung

Das Bedienfeld ist in die Fernbedienung integriert. Wir empfehlen, die Fernbedienung zurück in die Halterung am Gerät zu legen, wenn sie nicht verwendet wird. Die Batterien für die Fernbedienung (Typ: AAA) sind enthalten. Bitte achte beim Einlegen der Batterien auf die richtige Polarität.

4. Wartung

Wichtig: Achte darauf, den Netzstecker vor der Pflege des Geräts aus der Steckdose zu ziehen.

Wichtig: Der Stecker und das Gerät selbst dürfen nicht durchnässt oder in Wasser eingetaucht werden.



Wassertank alle 3 Tage reinigen.

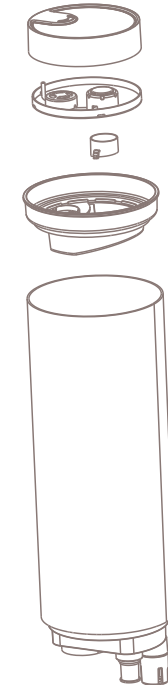
Wasserwechsel

Damit der Luftbefeuchter dauerhaft richtig funktioniert, sollten das Wasser im Tank und auch der Wassertank selbst regelmäßig gereinigt werden;

Reinigung

- Bitte verwende ein weiches Tuch, um auf dem Gerät Staub zu wischen; Wenn die Oberfläche zu schmutzig ist, empfiehlt sich die Verwendung eines feuchten Tuchs mit ein wenig neutralem Reinigungsmittel.
 - Verwende keine chemischen Lösungsmittel, Reinigungsbenzin, Putzmittel usw., um die Oberfläche des Geräts zu reinigen.
- Das Gerät oder Teile davon dürfen nicht in der Spülmaschine gereinigt werden. Am besten reinigst du alles mit klarem Wasser.

- Bitte verwende ein weiches Tuch, um die Teile (siehe Abbildung) regelmäßig zu reinigen. Wenn der Kalk im Tank durch regelmäßige Reinigung nicht entfernt werden kann, vermische ein wenig Zitronenessig mit lauwarmem Wasser (Verhältnis Wasser zu Zitronenessig 10ml:1g) Gieße alles in einen Behälter und lasse es 5 Minuten einweichen. Anschließend reinigst du die verkalkte Oberfläche vorsichtig mit einer weichen Bürste, bis der Kalk verschwunden ist.



Aufbewahrung

Wenn das Gerät längere Zeit nicht verwendet wird, reinige bitte alle Bestandteile, trockne sie ab und verpacke sie in der Originalverpackung, die du dann an einem trockenen Ort aufbewahrst.

Ersatzteile

Ersatzteile und Zubehör sind beim Händler oder über den örtlichen Großhändler erhältlich.

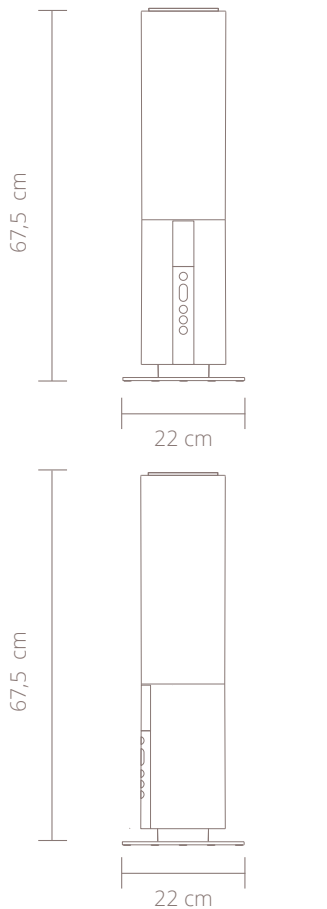
Entsorgung

Die europäische WEEE-Richtlinie 2012/19/EG über Elektro- und Elektronikaltgeräte verlangt, dass alte elektronische Haushaltsgeräte nicht über den normalen, unsortierten Hausmüll entsorgt werden. Altgeräte müssen gesondert eingesammelt werden, um die Rückgewinnung und das Recycling der darin enthaltenen Materialien zu optimieren und die Auswirkungen auf die menschliche Gesundheit und die Umwelt zu reduzieren. Das Symbol der durchgestrichenen „Mülltonne“ auf dem Produkt erinnert dich an diese Verpflichtung, dass du das Gerät bei der Entsorgung trennen musst. Für Informationen über die richtige Entsorgung ihrer Altgeräte sollten Verbraucher sich an die Behörden oder Händler vor Ort wenden.



Der smarte
und kraftvolle
Luftbefeuchter, der
nur ganz wenig
Platz braucht

5. Technische Angaben



Gewicht:
2 kg



Leistung:
28W



Fassungsvermögen Wassertank:
5L



Effektiver Bereich:
40m²



Dampfausstoß (max.):
350ml/h



Max. Betriebszeit:
25h



LLänge des Stromkabels:
1,5m



Hauptsächlich verwendete Materialien:
ABS, PP



Ausstoß-Einstellungen:
3



Modell-Nr.:
DXHU10/11

Aussehen und
Spezifikationen
dieses Geräts
können ohne
Vorankündigung
geändert werden.

6. FAQ

F. Die Anzeigen Ein/Aus und Wasserstand leuchten nicht, und es kommt kein Dampf aus dem Gerät.

A. Stecke den Stecker ganz in die Steckdose und überprüfe, ob ein Stromausfall vorliegt.

F. Die Anzeigen Ein/Aus und Wasserstand leuchten rot und das Gerät ist aus, obwohl ich auf den Ein-/Aus-Schalter gedrückt habe.

A. Es ist nicht genug Wasser im Tank. Bitte den Tank mit Wasser nachfüllen.

F. Bei der Verwendung des Geräts macht es komische Geräusche.

A. Aus dem Gerät kommt ein „gurgelndes“ Geräusch. Dieses Geräusch entsteht, wenn Wasser vom Tank in das zentrale Gehäuse des Geräts fließt. Es bedeutet nicht, dass das Gerät kaputt ist.

F. Der entfernte Wassertank macht ein komisches Geräusch.

A. Wenn du einen leeren oder fast leeren Wassertank aus dem Gehäuse nimmst, ist ein komisches Geräusch aus dem Wassertank zu hören. Dieses Geräusch hängt mit dem Druck im Wassertank zusammen und bedeutet nicht, dass das Gerät kaputt ist.

F. Der Dampf ist unsichtbar, obwohl das Gerät mit Strom versorgt wird.

A. - Blinken die Anzeige Ein/Aus oder Wasserstand rot? Wenn sie rot blinken, ist zu wenig Wasser im Wassertank. Bitte den Tank mit Wasser nachfüllen.
- Je nach Verhältnis zwischen Raumtemperatur und der Luftfeuchtigkeit ist der Dampf möglicherweise nicht sichtbar.

F. Der Boden ist nass / Das Gerät hat ein Leck.

A. Ist der Boden aufgrund erhöhter Feuchtigkeit nass?
- Abhängig von der Raumumgebung und den Nutzungsbedingungen kann der Dampf zu einem nassen Boden führen. Bitte stelle die Dampfmenge auf die niedrigste Stufe oder in den Auto-Betrieb.

Designed in The Netherlands by Duux BV. Made in P.R.C.
Duux BV, P.O. Box 145, 5400 AC Uden Netherlands, www.duux.com

© 2021 Duux. All rights reserved.
DUUX® is a trademark of Duux BV,
registered in the EU and other countries.
The brand cited belongs exclusively to the respective owners.

Specifications are subject to modification without notice.

duux®

Version: IMDXHU1011_V1